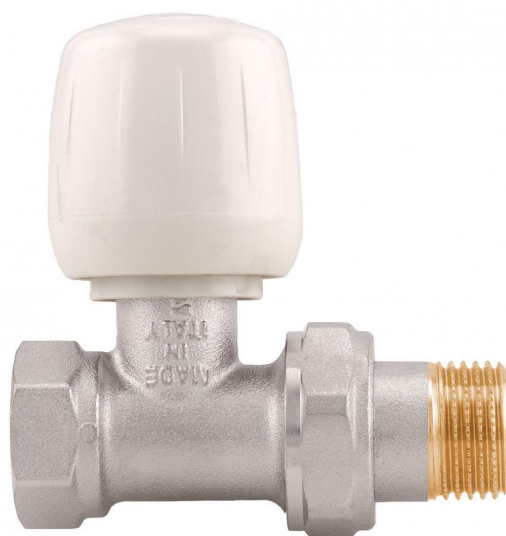


TECHNICAL CATALOGUE

MANUAL VALVES AND LOCKSHIELDS

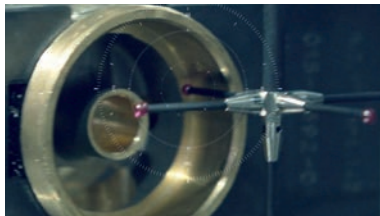
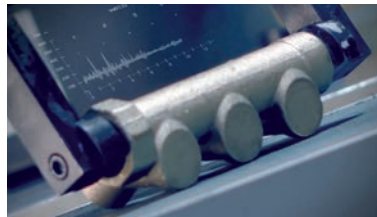
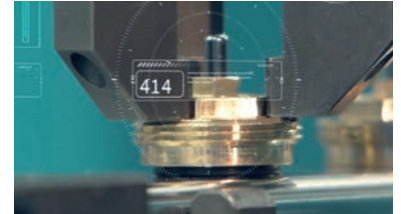
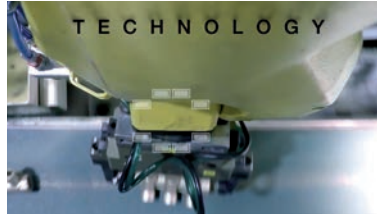


> THE COMPANY

ITAP SpA, founded in Lumezzane (Brescia) in 1972, is currently one of the leading production companies in Italy of **valves, fittings and distribution manifolds** for plumbing and heating systems.

Thanks to fully automated production processes, with 85 transfer machines and 55 assembly lines, we are able to produce 400,000 pieces per day.

Our innate pursuit for innovation and observance of technical regulations is supported by the company certification ISO 9001. The company has always considered its focus on quality as the main tool to obtain significant business results: today ITAP SpA is proud to offer products bearing the approval of numerous international certifying bodies.



> ITAP products have obtained approvals by more than 30 certification bodies from all over the world.





MANUAL VALVES AND LOCKSHIELDS

294 Straight manual valve

To be used with iron piping or, together with an Itap-Fit® connector (art. 618), with copper, crosslinked polyethylene (PEX) or polybutylene.

In the case of use with PEX or polybutylene it is also requested the use of the liner art. 655.



SIZE	PRESSURE	CODE	PACKING
1/2" (DN 15)	10bar/145psi	2940012	12/96
3/4" (DN 20)	10bar/145psi	2940034	8/64

CERTIFICATIONS



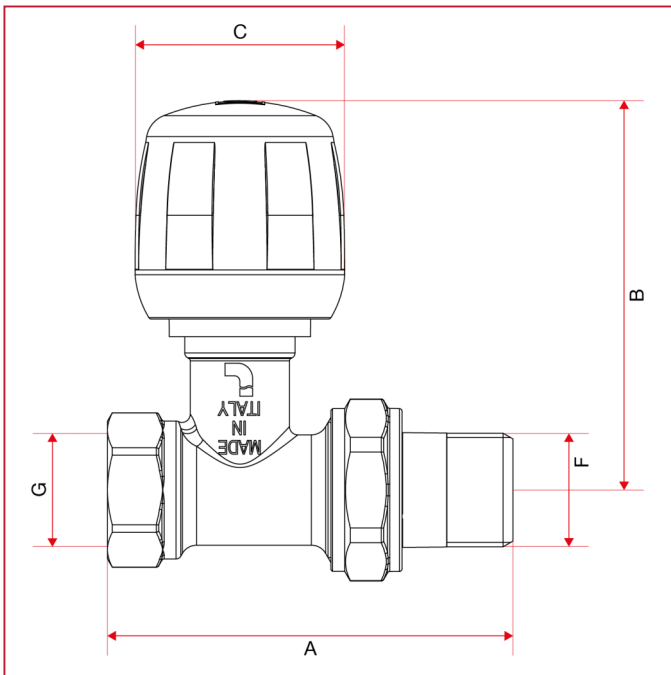
TECHNICAL SPECIFICATIONS

Body in nickel-plated brass.

Maximum working temperature: 110°C.

Threads: ISO 228 (equivalent to DIN EN ISO 228 and BS EN ISO 228).

OVERALL DIMENSIONS

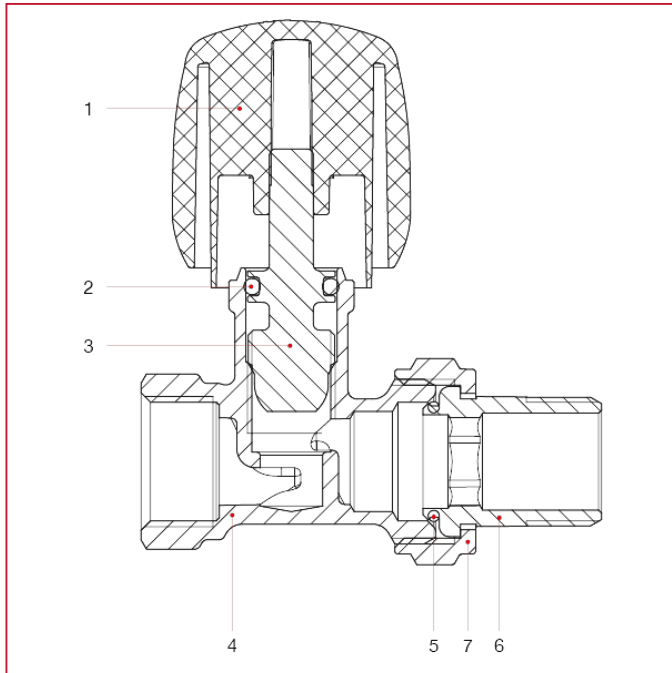




MANUAL VALVES AND LOCKSHIELDS

	1/2"	3/4"
DN	15	20
A	73,5	77,5
B	70,6	72,1
C	38	38
F	1/2"	3/4"
G	1/2"	3/4"
Kg/cm ² bar	10	10
LBS - psi	145	145

MATERIALS



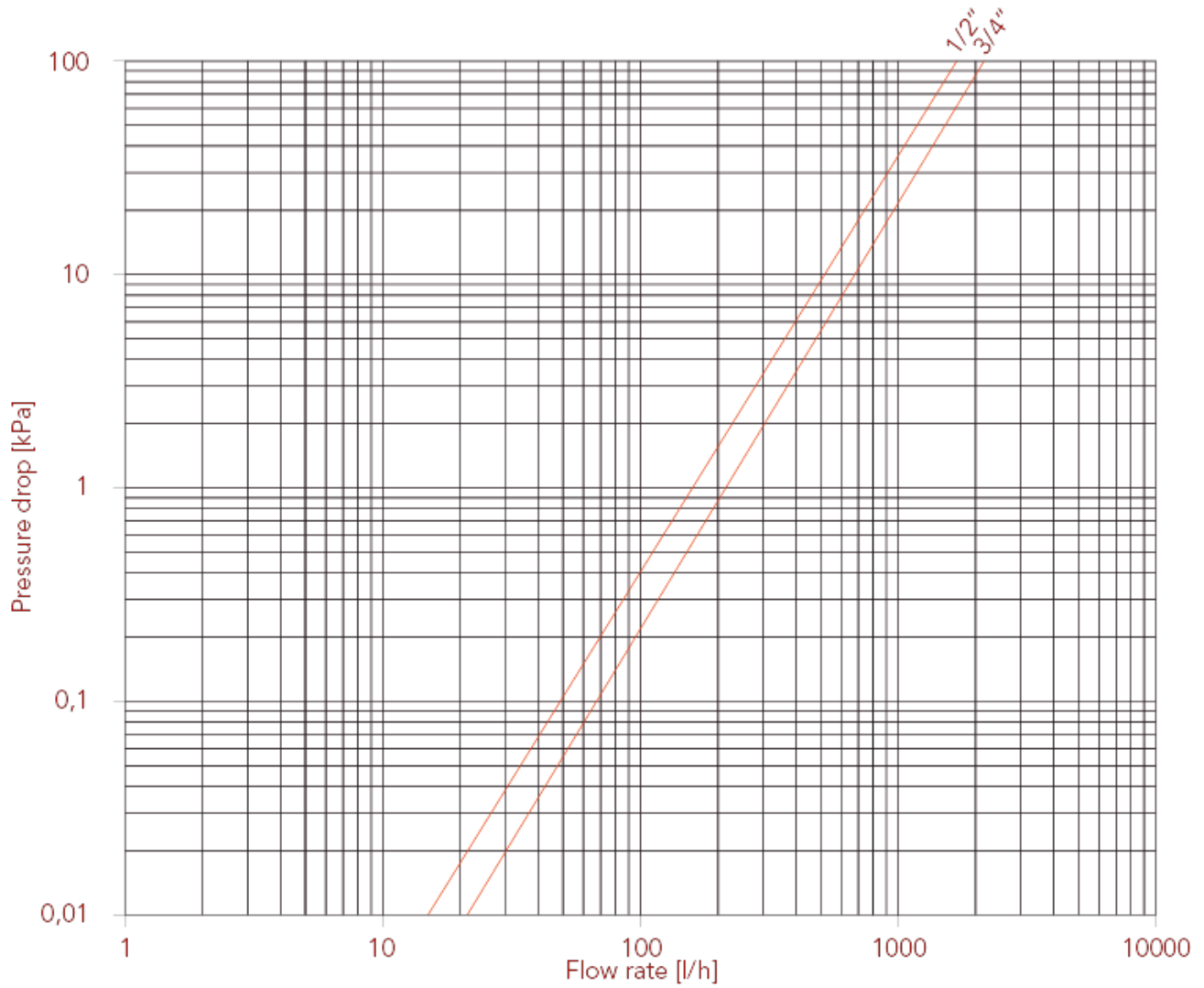
POS.	DESCRIPTION	N.	MATERIAL
1	Handle	1	ABS
2	O-ring	1	EPDM
3	Bonnet	1	Brass CW614N
4	Body	1	Nickel-plated brass CW617N
5	Washer	1	NBR
6	Union	1	Nickel-plated brass CW617N
7	Nut	1	Nickel-plated brass CW617N



MANUAL VALVES AND LOCKSHIELDS

LOSS DIAGRAM (With water)

KV	1/2"	3/4"
	1,72	2,15





MANUAL VALVES AND LOCKSHIELDS

296 Straight lockshield

To be used with iron piping or, together with an Itap-Fit® connector (art. 618), with copper, crosslinked polyethylene (PEX) or polybutylene.

In the case of use with PEX or polybutylene it is also requested the use of the liner art. 655.



SIZE	PRESSURE	CODE	PACKING
1/2" (DN 15)	10bar/145psi	2960012	12/156
3/4" (DN 20)	10bar/145psi	2960034	8/104

CERTIFICATIONS



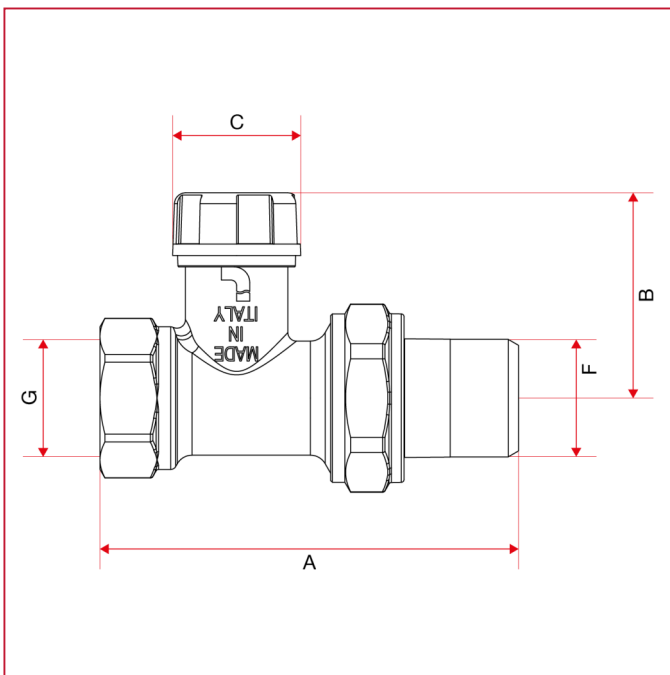
TECHNICAL SPECIFICATIONS

Body in nickel-plated brass.

Maximum working temperature: 110°C.

Threads: ISO 228 (equivalent to DIN EN ISO 228 and BS EN ISO 228).

OVERALL DIMENSIONS

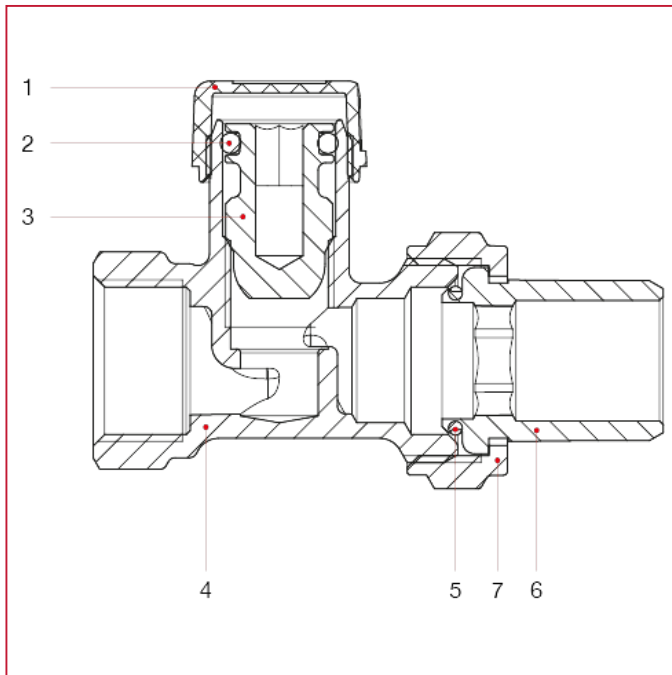




MANUAL VALVES AND LOCKSHIELDS

	1/2"	3/4"
DN	15	20
A	73,5	77,5
B	36	39
C	22,5	22,5
F	1/2"	3/4"
G	1/2"	3/4"
Kg/cm ² bar	10	10
LBS - psi	145	145

MATERIALS



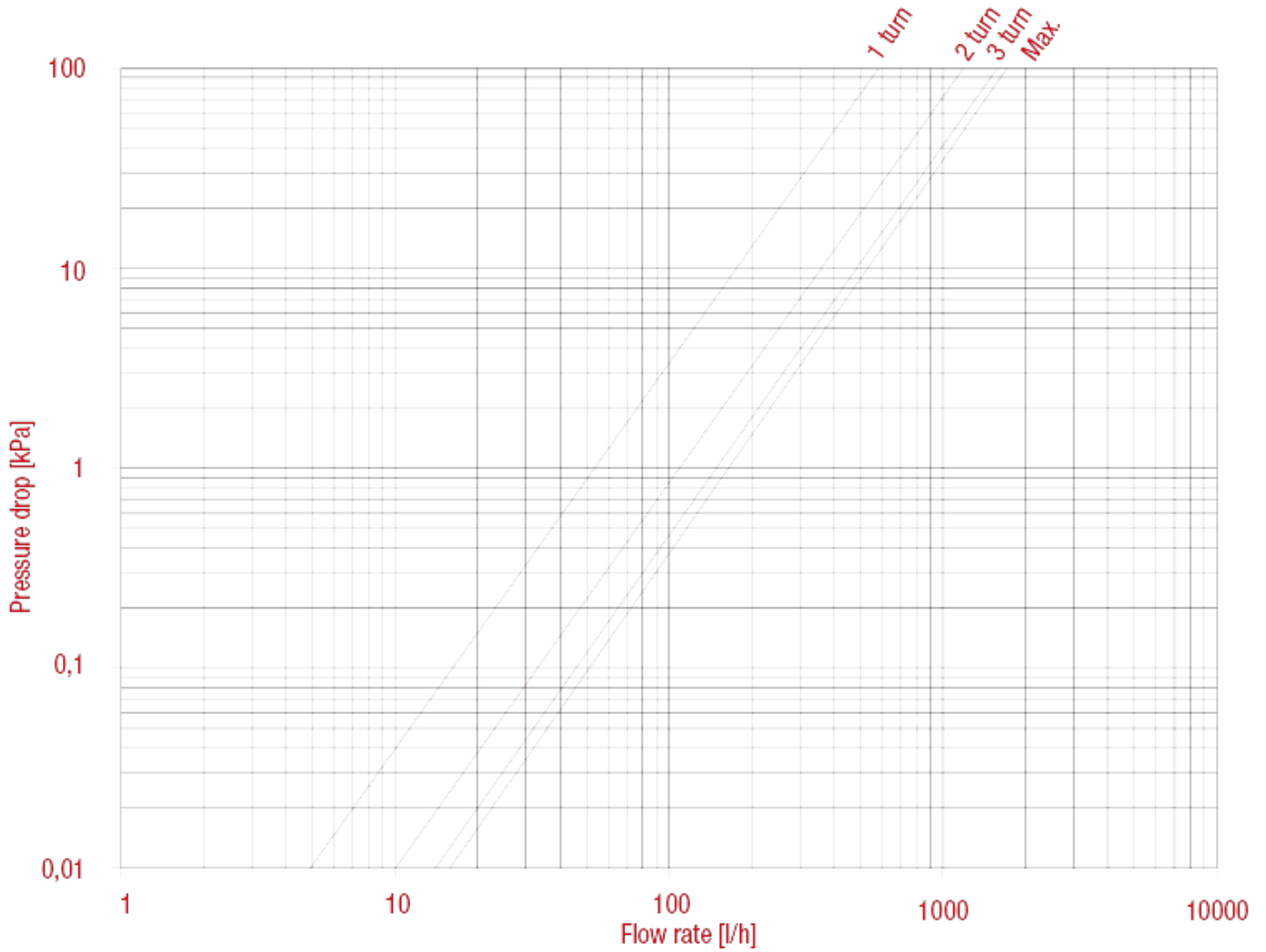
POS.	DESCRIPTION	N.	MATERIAL
1	Cap	1	ABS
2	O-ring	1	EPDM
3	Bonnet	1	Brass CW614N
4	Body	1	Nickel-plated brass CW617N
5	Washer	1	NBR
6	Union	1	Nickel-plated brass CW617N
7	Nut	1	Nickel-plated brass CW617N



MANUAL VALVES AND LOCKSHIELDS

LOSS DIAGRAM (With water) size 1/2"

KV	1/2"	3/4"
	1turn:0,6;2turn:1,2;3turn:1,6;MAX:1,72	1turn:0,6;2turn:0,9;3turn:1,5;MAX:2,15

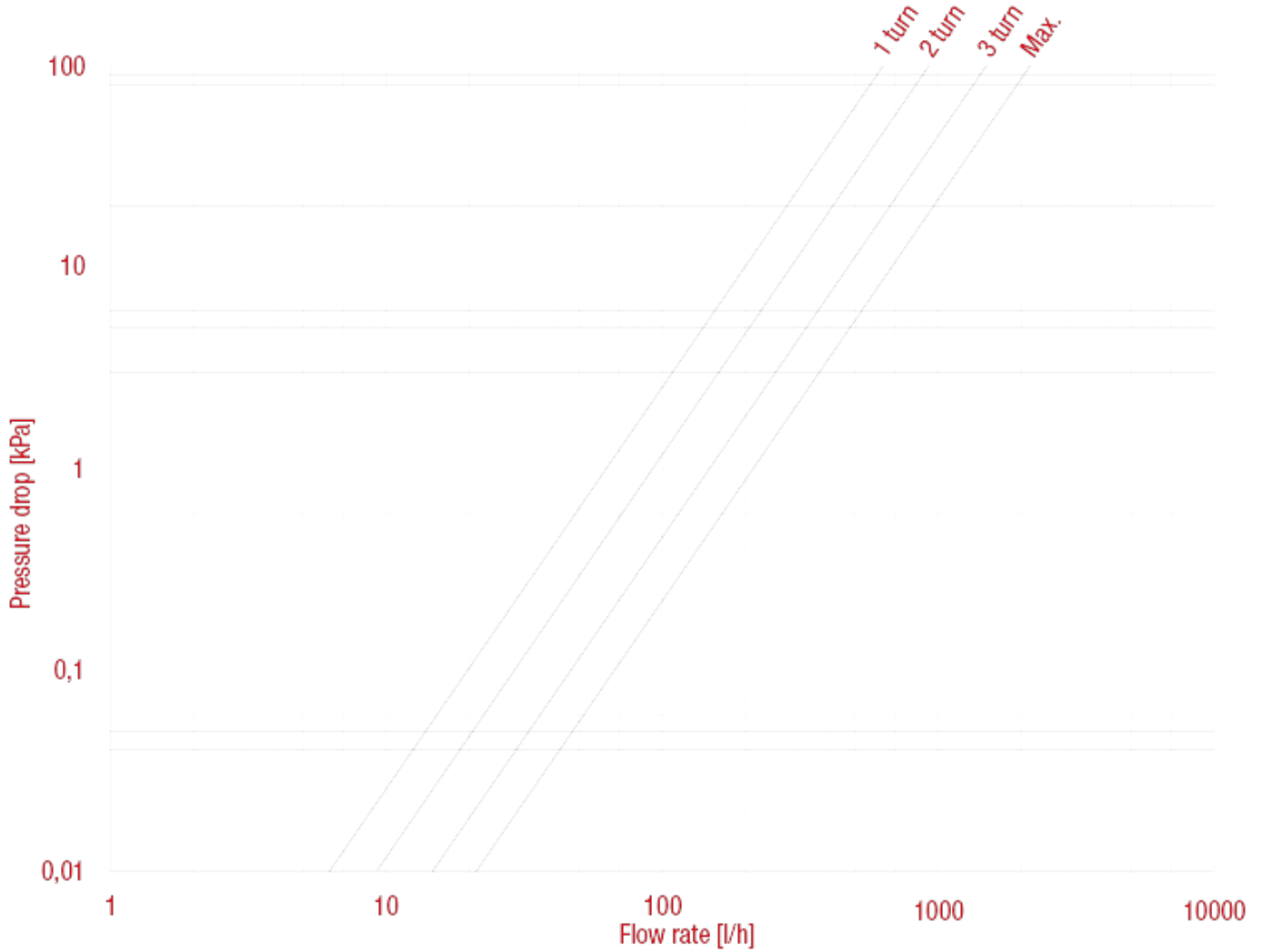




MANUAL VALVES AND LOCKSHIELDS

LOSS DIAGRAM (With water) size 3/4"

KV	1/2"	3/4"
	1turn:0,6;2turn:1,2;3turn:1,6;MAX:1,72	1turn:0,6;2turn:0,9;3turn:1,5;MAX:2,15





MANUAL VALVES AND LOCKSHIELDS

394 Angle manual valve

To be used with iron piping or, together with an Itap-Fit® connector (art. 618), with copper, crosslinked polyethylene (PEX) or polybutylene.

In the case of use with PEX or polybutylene it is also requested the use of the liner art. 655.



SIZE	PRESSURE	CODE	PACKING
3/8" (DN 10)	10bar/145psi	3940038	12/96
1/2" (DN 15)	10bar/145psi	3940012	12/144
3/4" (DN 20)	10bar/145psi	3940034	8/104

CERTIFICATIONS



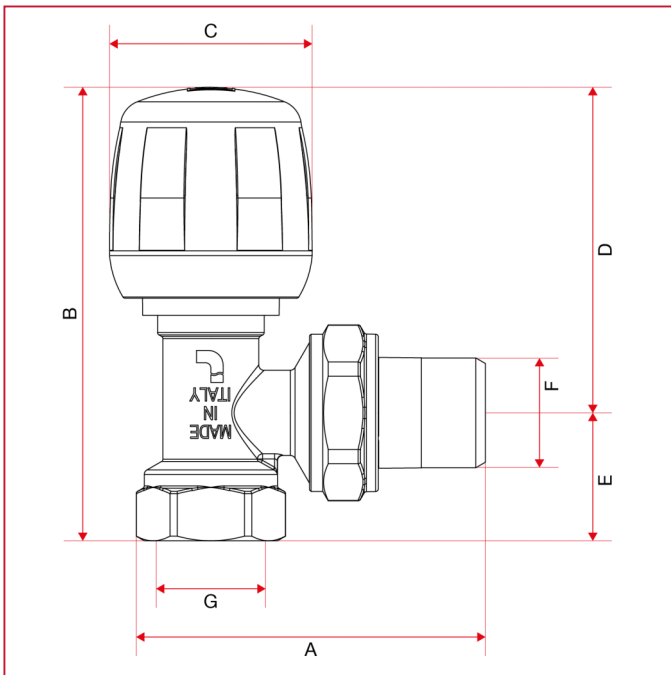
TECHNICAL SPECIFICATIONS

Body in nickel-plated brass.

Maximum working temperature: 110°C.

Threads: ISO 228 (equivalent to DIN EN ISO 228 and BS EN ISO 228).

OVERALL DIMENSIONS

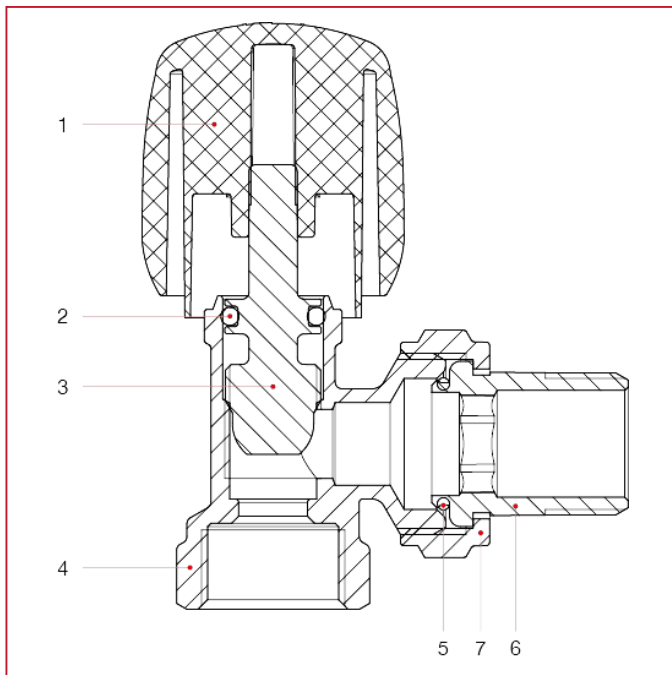




MANUAL VALVES AND LOCKSHIELDS

	3/8"	1/2"	3/4"
DN	10	15	20
A	49	51,5	58
B	82,6	85,1	86,8
C	38	38	38
D	61,1	61,1	63,4
E	21,5	24	23,4
F	3/8"	1/2"	3/4"
G	3/8"	1/2"	3/4"
Kg/cm ² bar	10	10	10
LBS - psi	145	145	145

MATERIALS



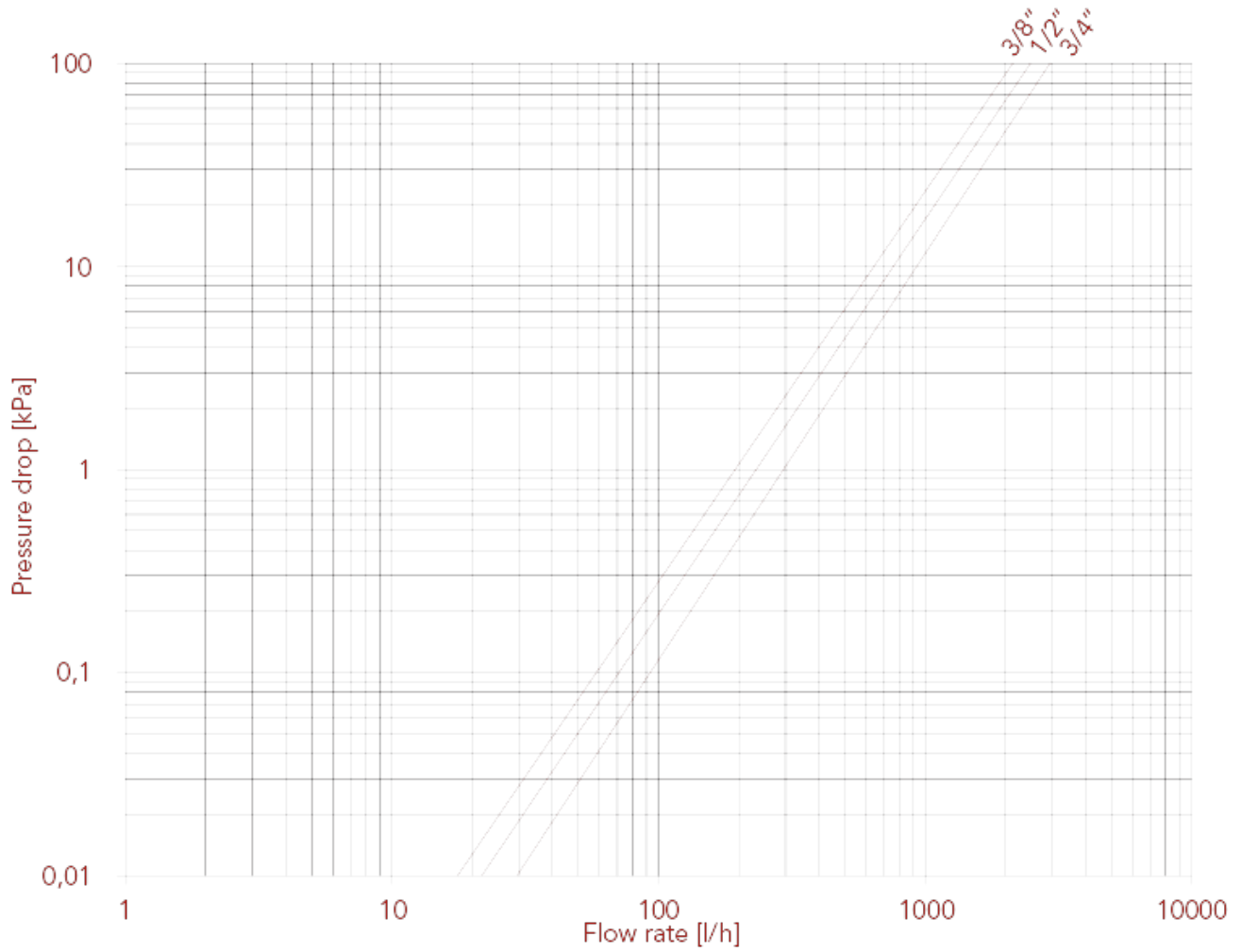
POS.	DESCRIPTION	N.	MATERIAL
1	Handle	1	ABS
2	O-ring	1	EPDM
3	Bonnet	1	Brass CW614N
4	Body	1	Nickel-plated brass CW617N
5	Washer	1	NBR
6	Union	1	Nickel-plated brass CW617N
7	Nut	1	Nickel-plated brass CW617N



MANUAL VALVES AND LOCKSHIELDS

LOSS DIAGRAM (With water)

	3/8"	1/2"	3/4"
KV	2,13	2,51	2,94





MANUAL VALVES AND LOCKSHIELDS

396 Angle lockshield

To be used with iron piping or, together with an Itap-Fit® connector (art. 618), with copper, crosslinked polyethylene (PEX) or polybutylene.

In the case of use with PEX or polybutylene it is also requested the use of the liner art. 655.



SIZE	PRESSURE	CODE	PACKING
3/8" (DN 10)	10bar/145psi	3960038	12/156
1/2" (DN 15)	10bar/145psi	3960012	12/156
3/4" (DN 20)	10bar/145psi	3960034	8/104

CERTIFICATIONS



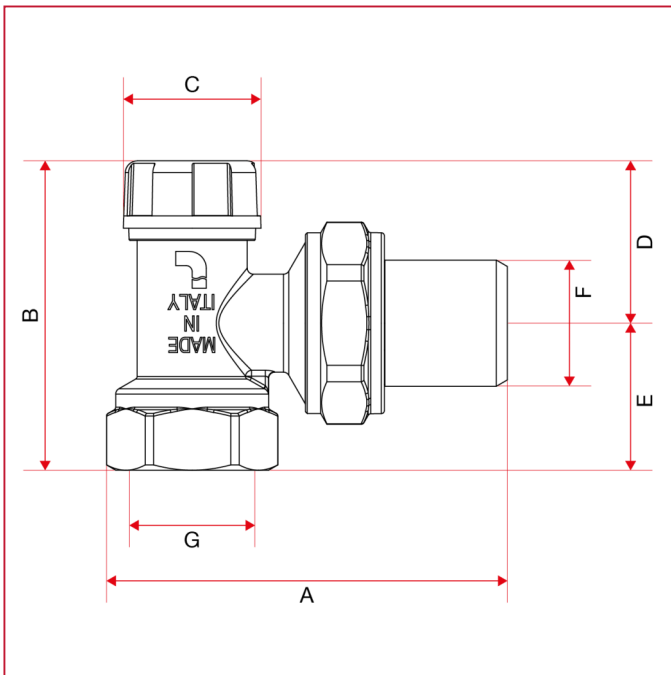
TECHNICAL SPECIFICATIONS

Body in nickel-plated brass.

Maximum working temperature: 110°C.

Threads: ISO 228 (equivalent to DIN EN ISO 228 and BS EN ISO 228).

OVERALL DIMENSIONS

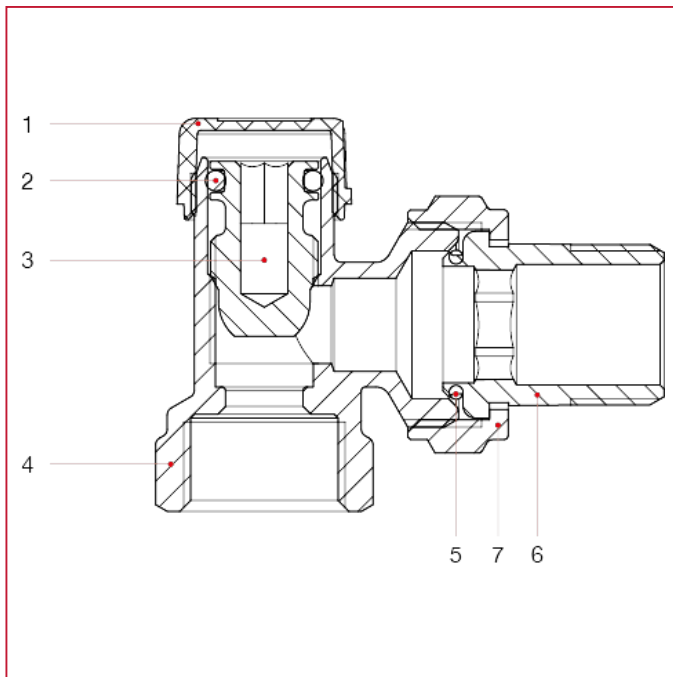




MANUAL VALVES AND LOCKSHIELDS

	3/8"	1/2"	3/4"
DN	10	15	20
A	49	51,5	58
B	48	50,5	53,7
C	22,5	22,5	25
D	26,5	26,5	30,3
E	21,5	24	23,4
F	3/8"	1/2"	3/4"
G	3/8"	1/2"	3/4"
Kg/cm2 bar	10	10	10
LBS - psi	145	145	145

MATERIALS



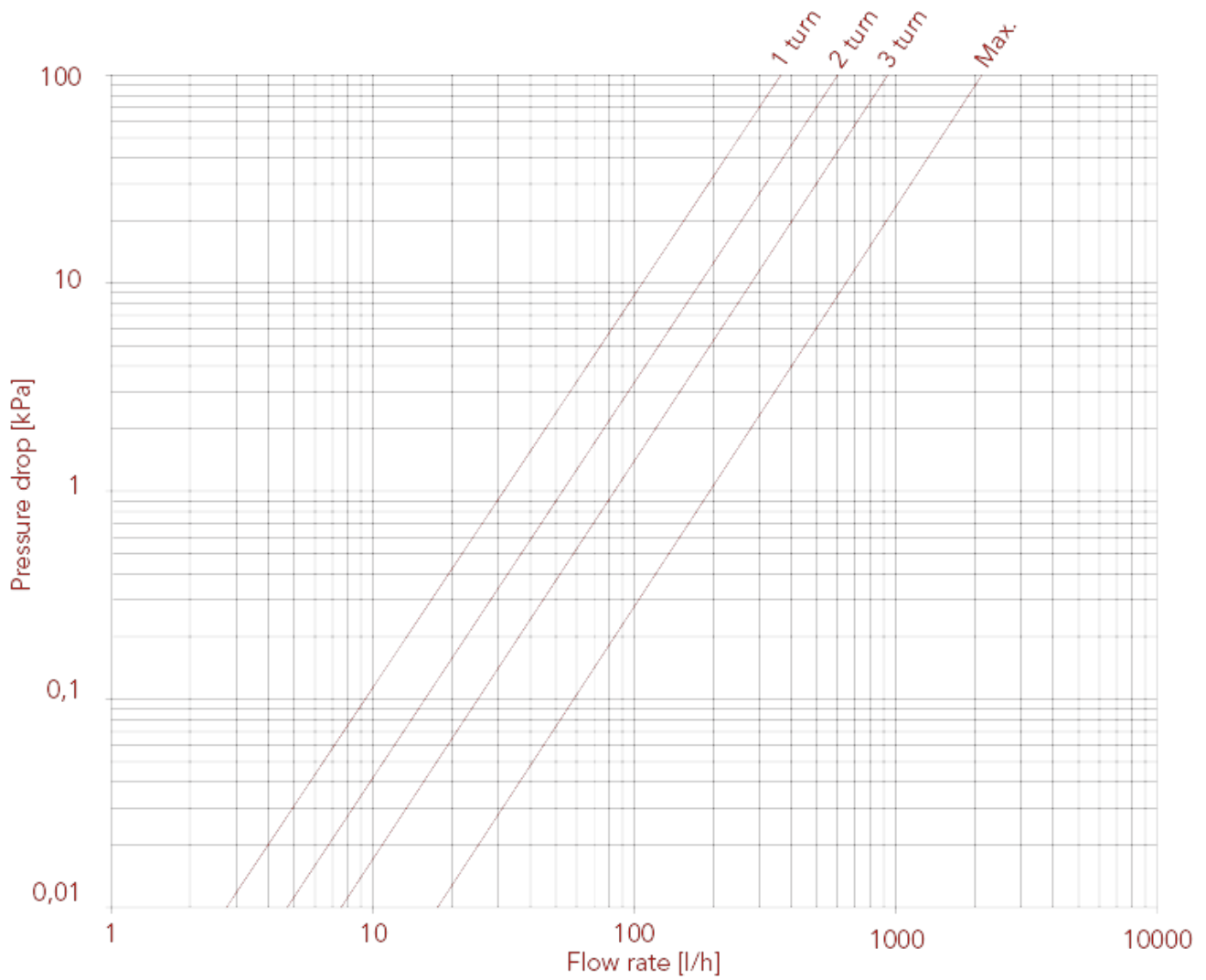
POS.	DESCRIPTION	N.	MATERIAL
1	Cap	1	ABS
2	O-ring	1	EPDM
3	Bonnet	1	Brass CW614N
4	Body	1	Nickel-plated brass CW617N
5	Washer	1	NBR
6	Union	1	Nickel-plated brass CW617N
7	Nut	1	Nickel-plated brass CW617N



MANUAL VALVES AND LOCKSHIELDS

LOSS DIAGRAM (With water) size 3/8"

	3/8"	1/2"	3/4"
KV	1turn:0,38;2turn:0,60;3turn:0,92; MAX:2,13	1turn:0,42;2turn:0,70;3turn:1,10; MAX:2,51	1turn:0,60;2turn:1,02;3turn:1,54; MAX:2,94

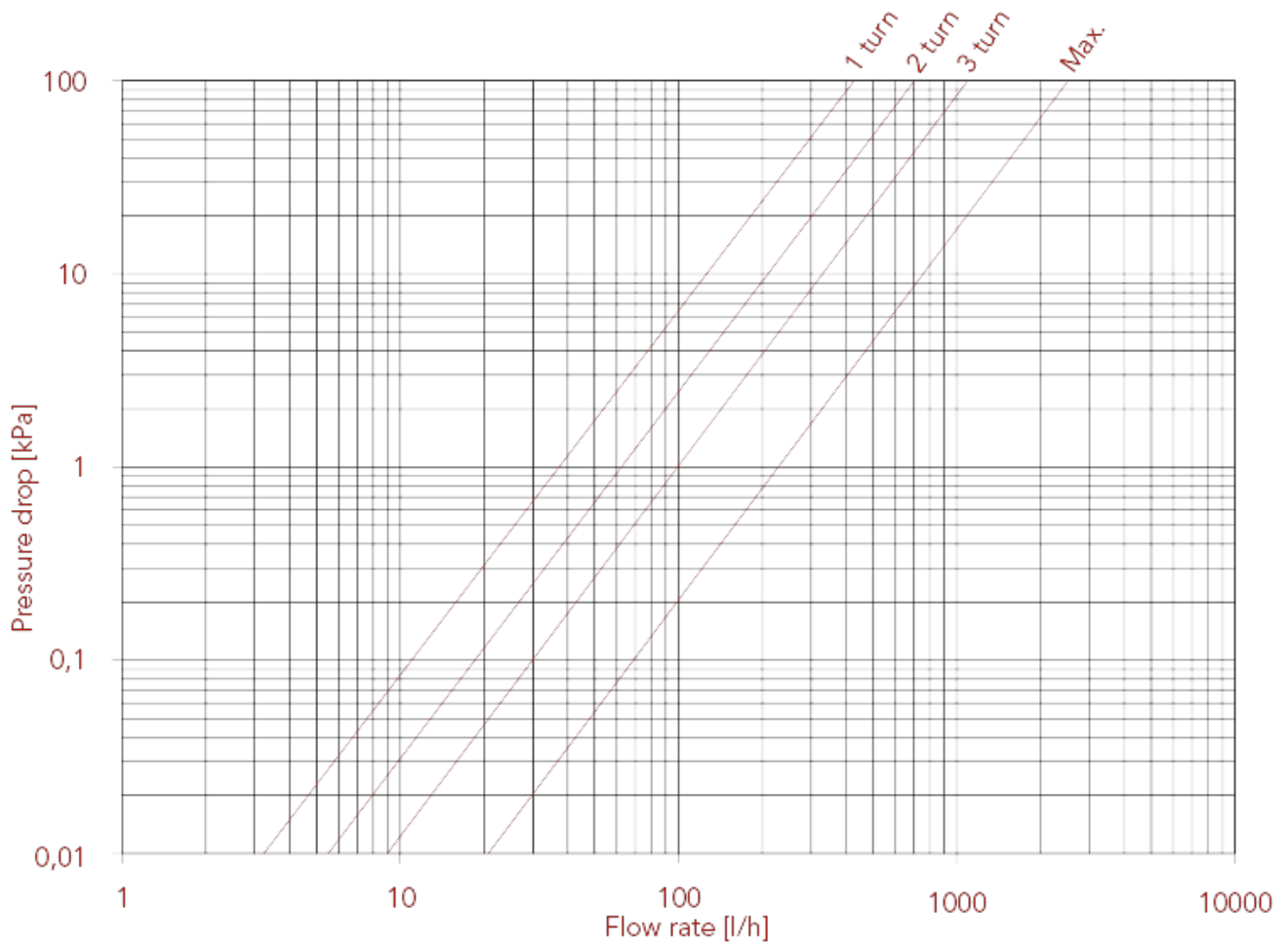




MANUAL VALVES AND LOCKSHIELDS

LOSS DIAGRAM (With water) size 1/2"

	3/8"	1/2"	3/4"
KV	1turn:0,38;2turn:0,60;3turn:0,92; MAX:2,13	1turn:0,42;2turn:0,70;3turn:1,10; MAX:2,51	1turn:0,60;2turn:1,02;3turn:1,54; MAX:2,94

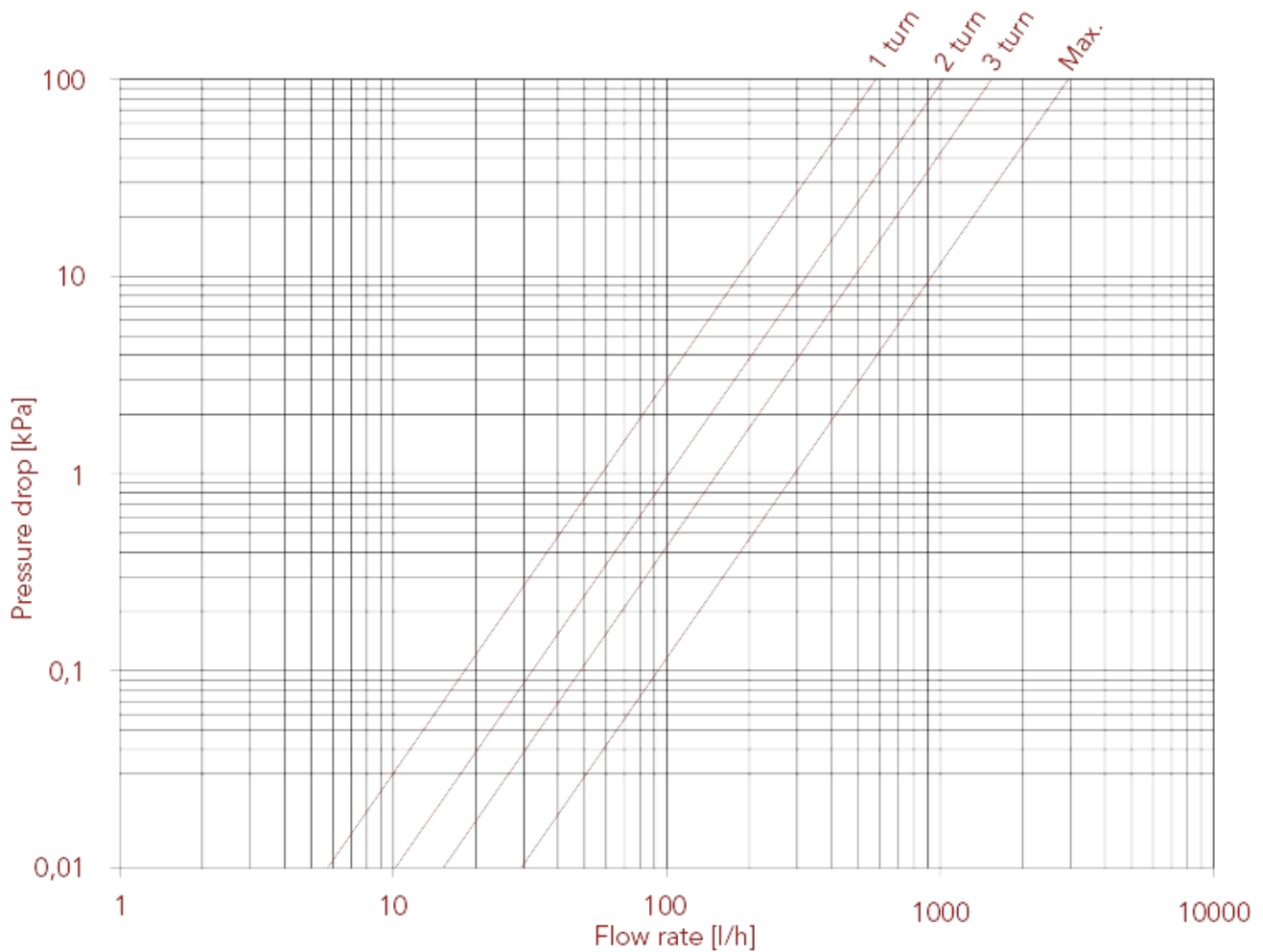




MANUAL VALVES AND LOCKSHIELDS

LOSS DIAGRAM (With water) size 3/4"

	3/8"	1/2"	3/4"
KV	1turn:0,38;2turn:0,60;3turn:0,92; MAX:2,13	1turn:0,42;2turn:0,70;3turn:1,10; MAX:2,51	1turn:0,60;2turn:1,02;3turn:1,54; MAX:2,94





MANUAL VALVES AND LOCKSHIELDS

295 Straight manual valve

To be used with multilayer, PEX or polybutylene piping, together with 595M or 510 Multi-Fit® connectors.

Suitable also for copper piping, together with a compression fitting art. 595.

The male thread "G" is equipped with a conical seat and inner diameter mm.16.



SIZE	PRESSURE	CODE	PACKING
1/2" (DN 15)	10bar/145psi	2950012	12/96

CERTIFICATIONS



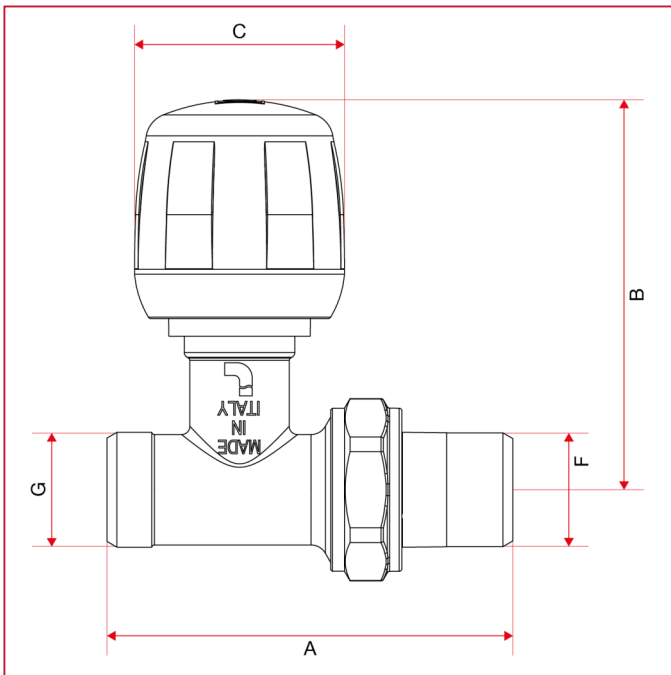
TECHNICAL SPECIFICATIONS

Body in nickel-plated brass.

Maximum working temperature: 110°C.

Threads: ISO 228 (equivalent to DIN EN ISO 228 and BS EN ISO 228).

OVERALL DIMENSIONS

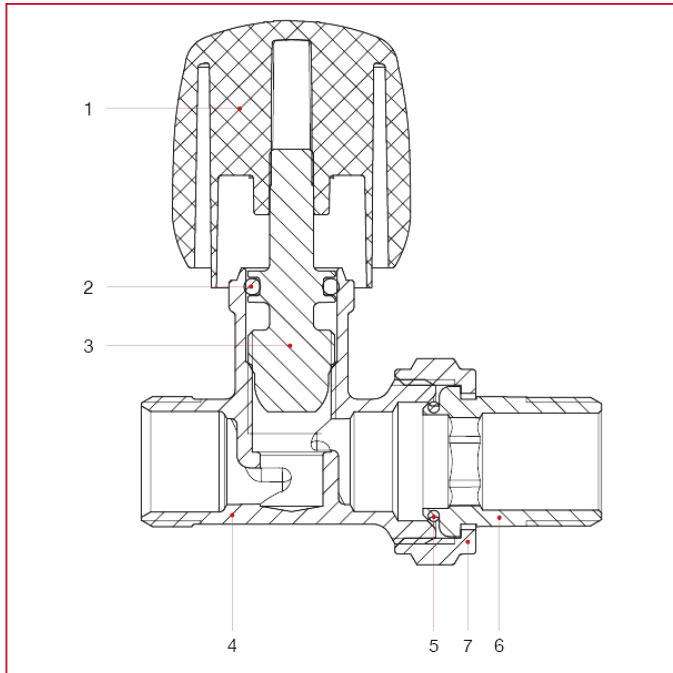




MANUAL VALVES AND LOCKSHIELDS

	1/2"
DN	15
A	73,5
B	70,6
C	38
F	1/2"
G	1/2"
Kg/cm ² bar	10
LBS - psi	145

MATERIALS



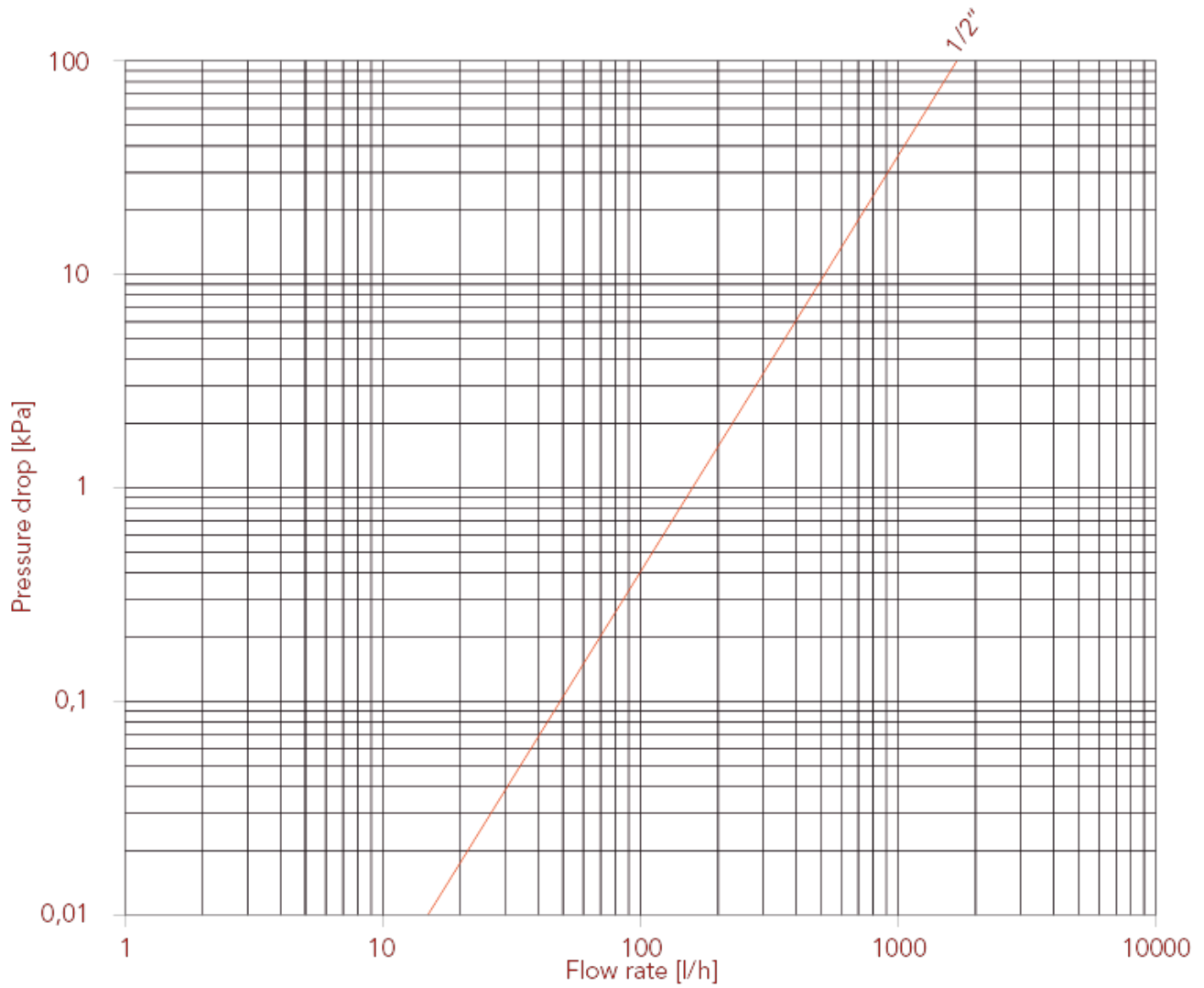
POS.	DESCRIPTION	N.	MATERIAL
1	Handle	1	ABS
2	O-ring	1	EPDM
3	Bonnet	1	Brass CW614N
4	Body	1	Nickel-plated brass CW617N
5	Washer	1	NBR
6	Union	1	Nickel-plated brass CW617N
7	Nut	1	Nickel-plated brass CW617N



MANUAL VALVES AND LOCKSHIELDS

LOSS DIAGRAM (With water)

KV	1/2"
	1,72





MANUAL VALVES AND LOCKSHIELDS

297 Straight lockshield

To be used with multilayer, PEX or polybutylene piping, together with 595M or 510 Multi-Fit® connectors.

Suitable also for copper piping, together with a compression fitting art. 595.

The male thread "G" is equipped with a conical seat and inner diameter mm.16.



SIZE	PRESSURE	CODE	PACKING
1/2" (DN 15)	10bar/145psi	2970012	12/156

CERTIFICATIONS



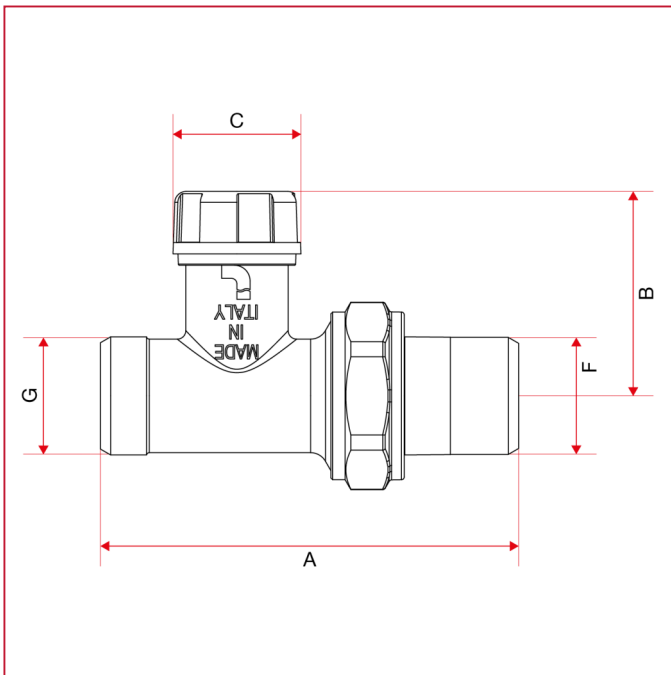
TECHNICAL SPECIFICATIONS

Body in nickel-plated brass.

Maximum working temperature: 110°C.

Threads: ISO 228 (equivalent to DIN EN ISO 228 and BS EN ISO 228).

OVERALL DIMENSIONS

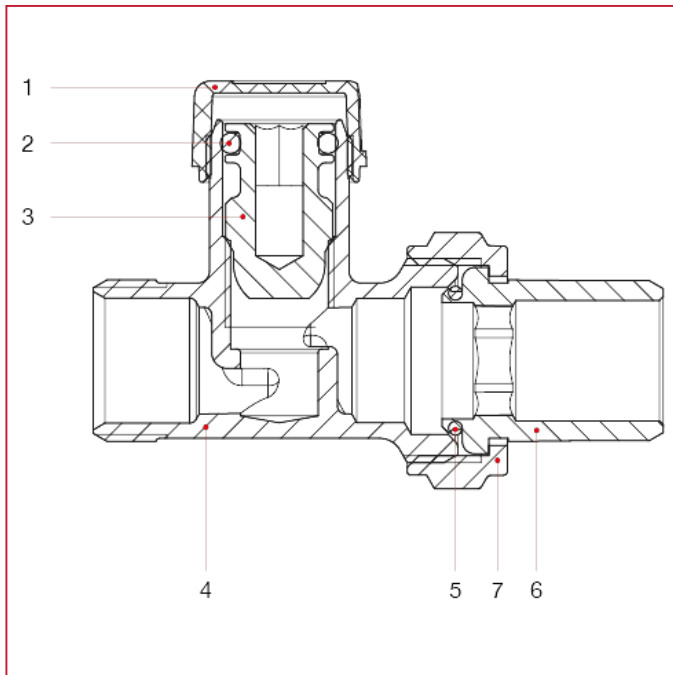




MANUAL VALVES AND LOCKSHIELDS

	1/2"
DN	15
A	73,5
B	36
C	22,5
F	1/2"
G	1/2"
Kg/cm ² bar	10
LBS - psi	145

MATERIALS

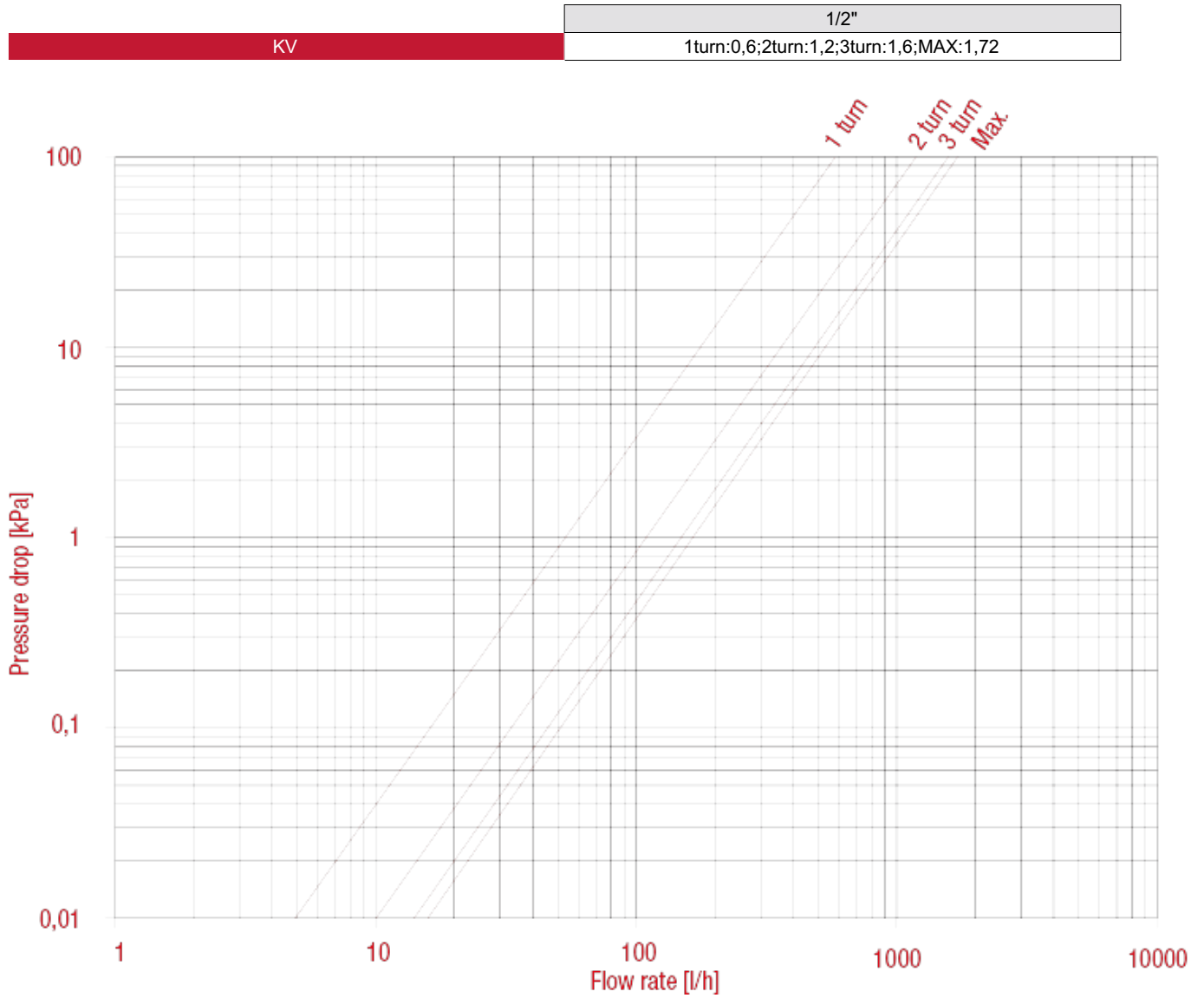


POS.	DESCRIPTION	N.	MATERIAL
1	Cap	1	ABS
2	O-ring	1	EPDM
3	Bonnet	1	Brass CW614N
4	Body	1	Nickel-plated brass CW617N
5	Washer	1	NBR
6	Union	1	Nickel-plated brass CW617N
7	Nut	1	Nickel-plated brass CW617N



MANUAL VALVES AND LOCKSHIELDS

LOSS DIAGRAM (With water)





MANUAL VALVES AND LOCKSHIELDS

395 Angle manual valve

To be used with multilayer, PEX or polybutylene piping, together with 595M or 510 Multi-Fit® connectors.

Suitable also for copper piping, together with a compression fitting art. 595.

The male thread "G" is equipped with a conical seat and inner diameter mm.16.



SIZE	PRESSURE	CODE	PACKING
3/8" (DN 10)	10bar/145psi	3950038	12/96
1/2" (DN 15)	10bar/145psi	3950012	12/96

CERTIFICATIONS



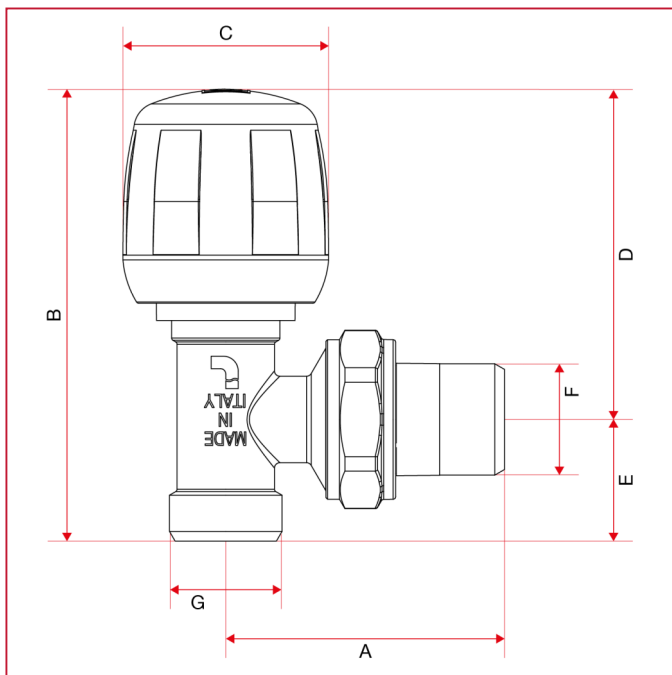
TECHNICAL SPECIFICATIONS

Body in nickel-plated brass.

Maximum working temperature: 110°C.

Threads: ISO 228 (equivalent to DIN EN ISO 228 and BS EN ISO 228).

OVERALL DIMENSIONS

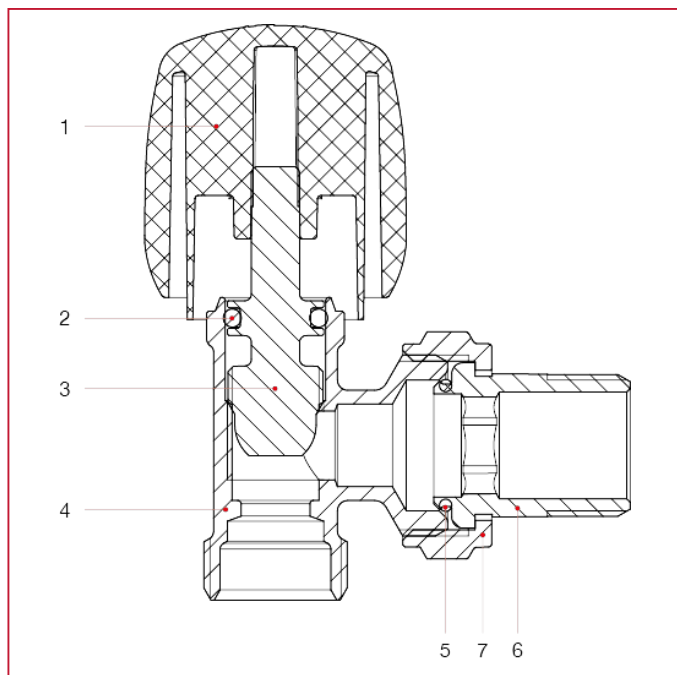




MANUAL VALVES AND LOCKSHIELDS

	3/8"	1/2"
DN	10	15
A	49	51,5
B	83,6	83,6
C	38	38
D	61,1	61,1
E	22,5	22,5
F	3/8"	1/2"
G	1/2"	1/2"
Kg/cm ² bar	10	10
LBS - psi	145	145

MATERIALS



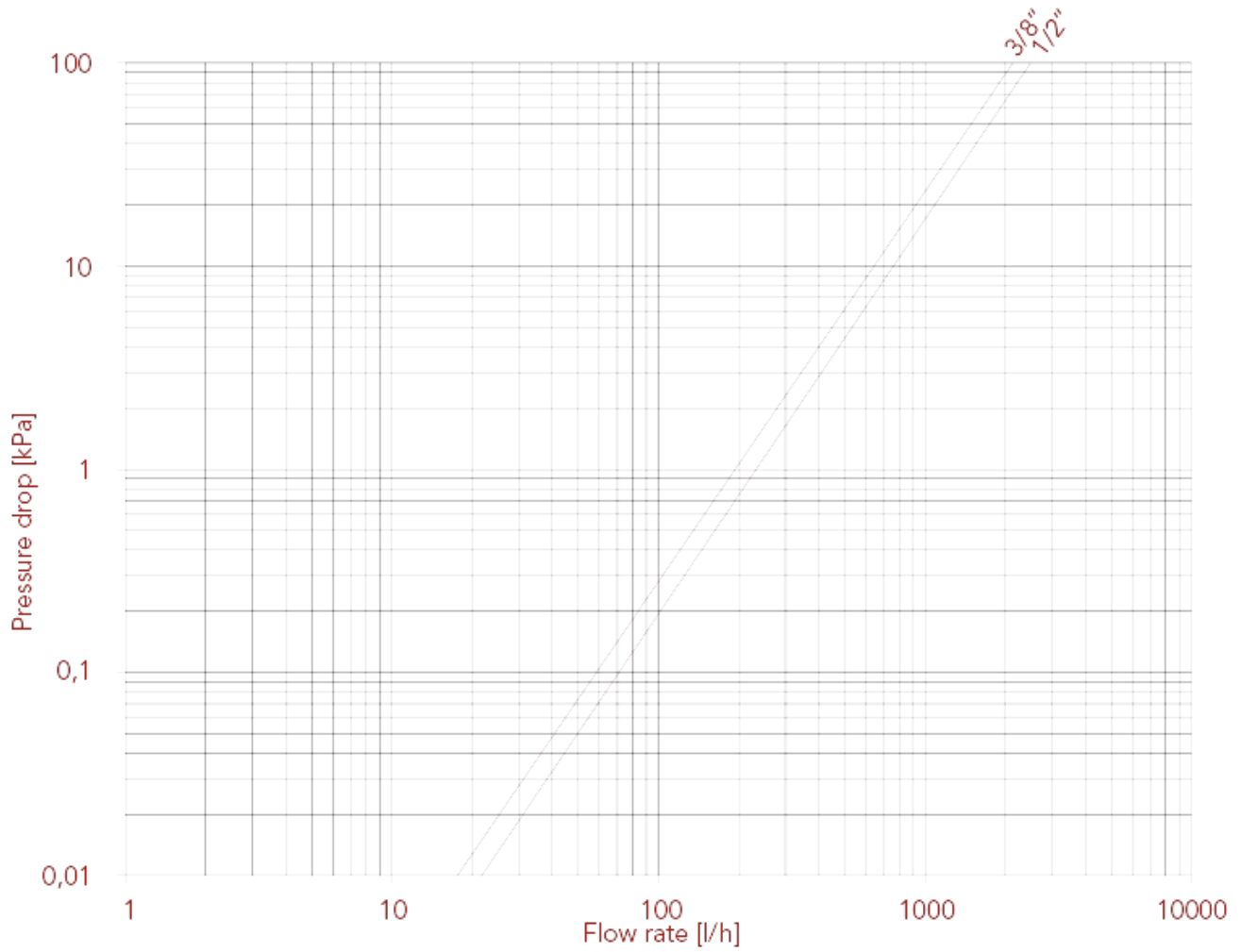
POS.	DESCRIPTION	N.	MATERIAL
1	Handle	1	ABS
2	O-ring	1	EPDM
3	Bonnet	1	Brass CW614N
4	Body	1	Nickel-plated brass CW617N
5	Washer	1	NBR
6	Union	1	Nickel-plated brass CW617N
7	Nut	1	Nickel-plated brass CW617N



MANUAL VALVES AND LOCKSHIELDS

LOSS DIAGRAM (With water)

	3/8"	1/2"
KV	2,13	2,51





MANUAL VALVES AND LOCKSHIELDS

397 Angle lockshield

To be used with multilayer, PEX or polybutylene piping, together with 595M or 510 Multi-Fit® connectors.

Suitable also for copper piping, together with a compression fitting art. 595.

The male thread "G" is equipped with a conical seat and inner diameter mm.16.



SIZE	PRESSURE	CODE	PACKING
3/8" (DN 10)	10bar/145psi	3970038	12/156
1/2" (DN 15)	10bar/145psi	3970012	12/156

CERTIFICATIONS



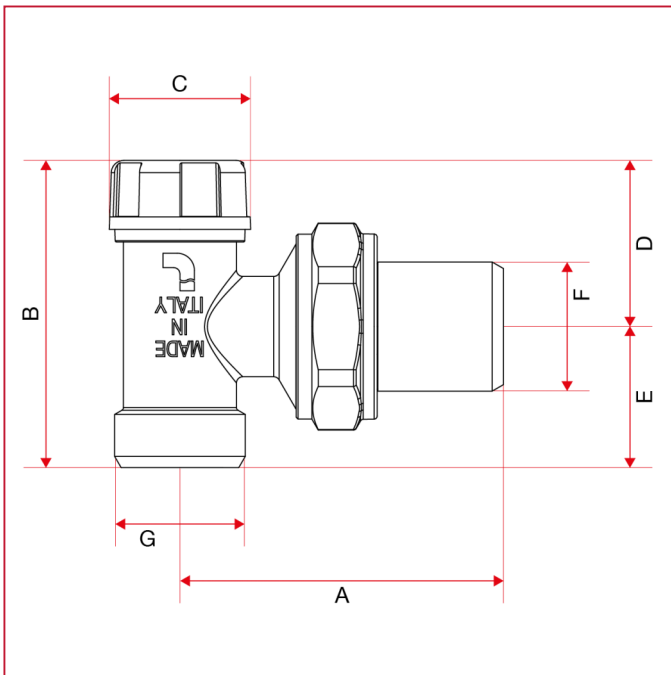
TECHNICAL SPECIFICATIONS

Body in nickel-plated brass.

Maximum working temperature: 110°C.

Threads: ISO 228 (equivalent to DIN EN ISO 228 and BS EN ISO 228).

OVERALL DIMENSIONS

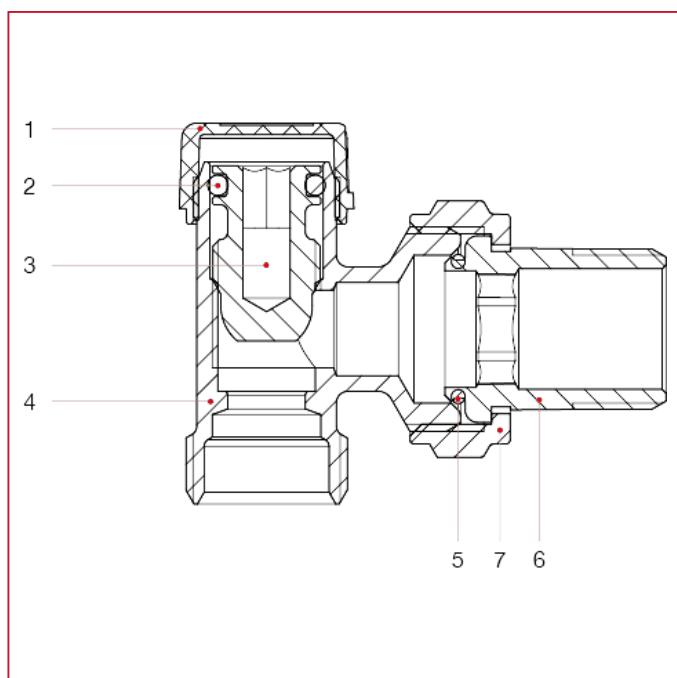




MANUAL VALVES AND LOCKSHIELDS

	3/8"	1/2"
DN	10	15
A	49	51,5
B	49	49
C	22,5	22,5
D	26,5	26,5
E	22,5	22,5
F	3/8"	1/2"
G	1/2"	1/2"
Kg/cm2 bar	10	10
LBS - psi	145	145

MATERIALS



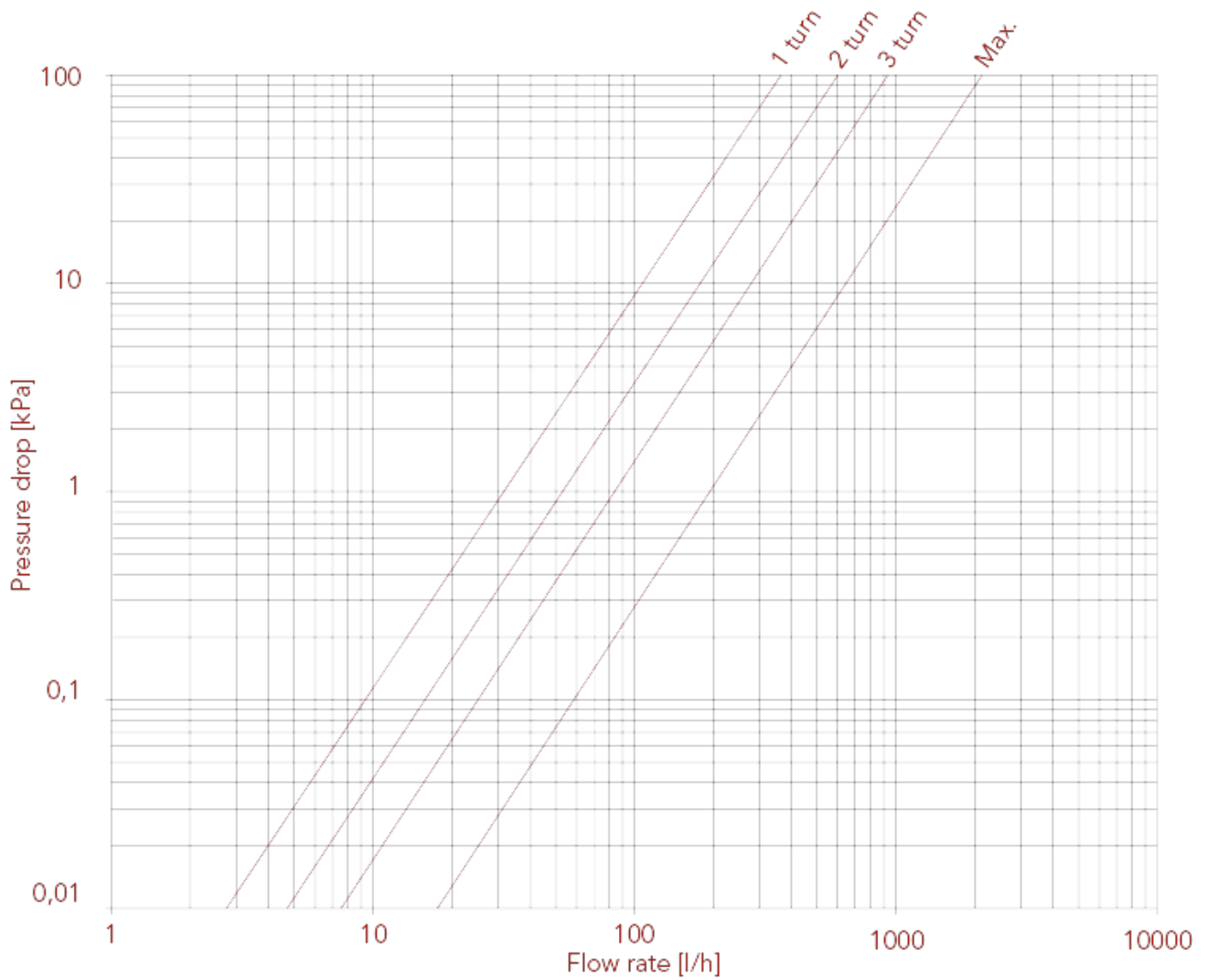
POS.	DESCRIPTION	N.	MATERIAL
1	Cap	1	ABS
2	O-ring	1	EPDM
3	Bonnet	1	Brass CW614N
4	Body	1	Nickel-plated brass CW617N
5	Washer	1	NBR
6	Union	1	Nickel-plated brass CW617N
7	Nut	1	Nickel-plated brass CW617N



MANUAL VALVES AND LOCKSHIELDS

LOSS DIAGRAM (With water) size 3/8"

	3/8"	1/2"
KV	1turn:0,38;2turn:0,60;3turn:0,92;MAX:2,13	1turn:0,42;2turn:0,70;3turn:1,10;MAX:2,51

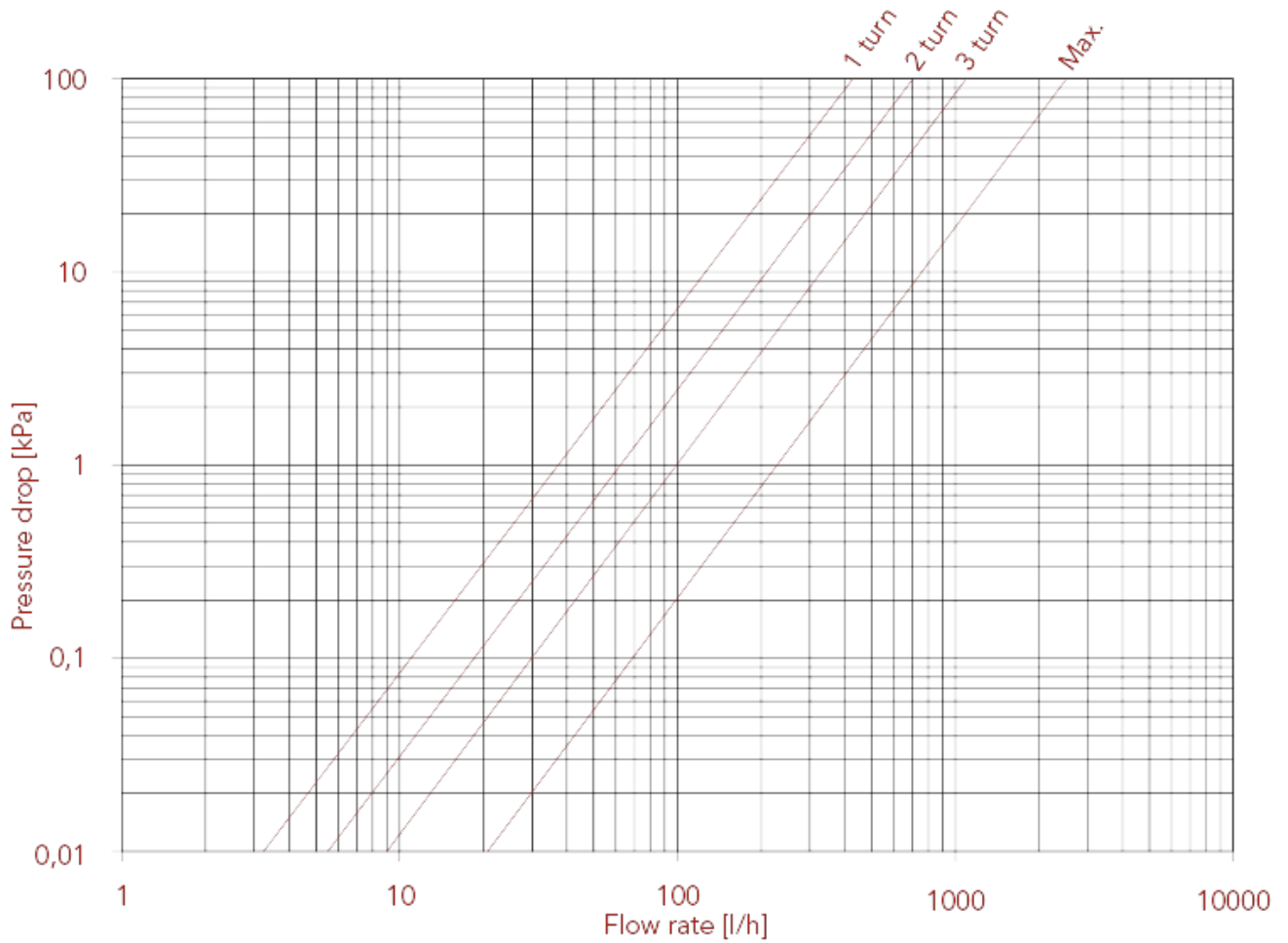




MANUAL VALVES AND LOCKSHIELDS

LOSS DIAGRAM (With water) size 1/2"

	3/8"	1/2"
KV	1turn:0,38;2turn:0,60;3turn:0,92;MAX:2,13	1turn:0,42;2turn:0,70;3turn:1,10;MAX:2,51





MANUAL VALVES AND LOCKSHIELDS

294S Straight manual valve

To be used with iron piping or, together with an Itap-Fit® connector (art. 618), with copper, crosslinked polyethylene (PEX) or polybutylene.

In the case of use with PEX or polybutylene it is also requested the use of the liner art. 655.



SIZE	PRESSURE	CODE	PACKING
1/2" (DN 15)	10bar/145psi	2940012S	12/96
3/4" (DN 20)	10bar/145psi	2940034S	10/80

CERTIFICATIONS



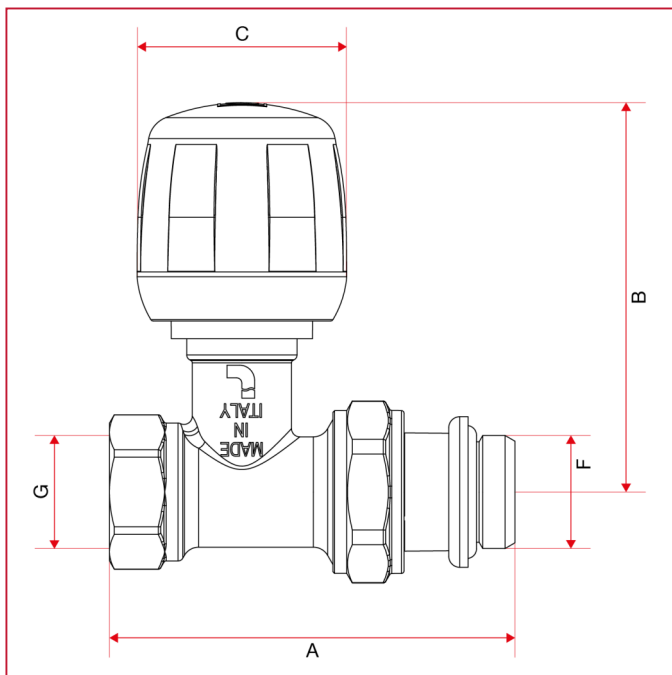
TECHNICAL SPECIFICATIONS

Body in nickel-plated brass.

Maximum working temperature: 110°C.

Threads: ISO 228 (equivalent to DIN EN ISO 228 and BS EN ISO 228).

OVERALL DIMENSIONS

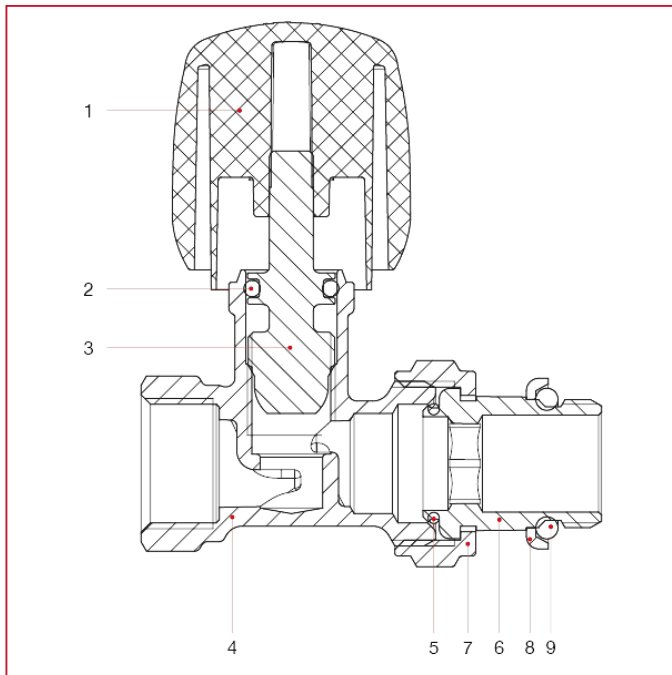




MANUAL VALVES AND LOCKSHIELDS

	1/2"	3/4"
DN	15	20
A	73,5	77,5
B	70,6	72,1
C	38	38
F	1/2"	3/4"
G	1/2"	3/4"
Kg/cm ² bar	10	10
LBS - psi	145	145

MATERIALS



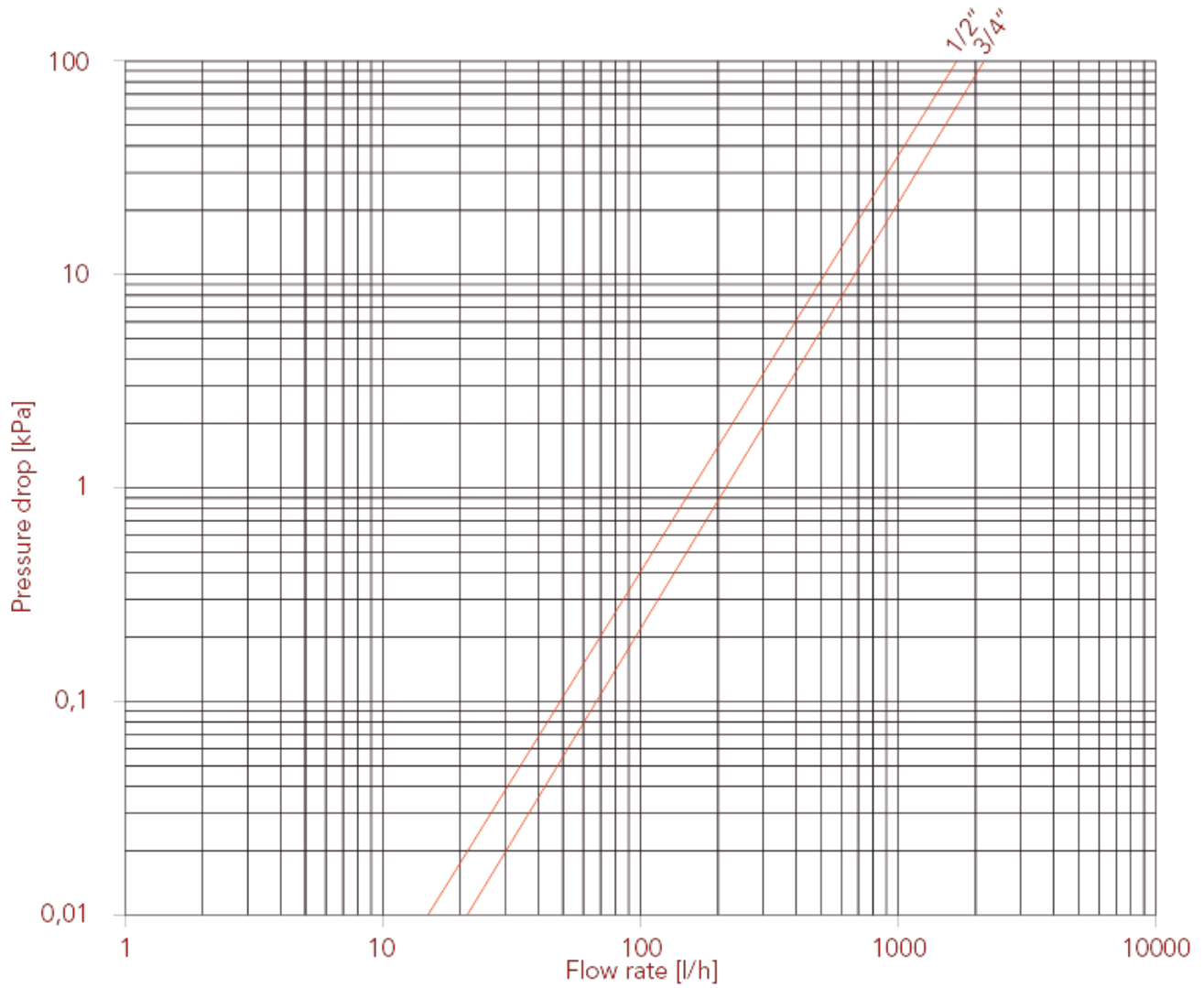
POS.	DESCRIPTION	N.	MATERIAL
1	Handle	1	ABS
2	O-ring	1	EPDM
3	Bonnet	1	Brass CW614N
4	Body	1	Nickel-plated brass CW617N
5	Washer	1	NBR
6	Union	1	Nickel-plated brass CW617N
7	Nut	1	Nickel-plated brass CW617N
8	Ring	1	Steel Fe
9	Washer	1	NBR



MANUAL VALVES AND LOCKSHIELDS

LOSS DIAGRAM (With water)

KV	1/2"	3/4"
	1,72	2,15





MANUAL VALVES AND LOCKSHIELDS

296S Straight lockshield

To be used with iron piping or, together with an Itap-Fit® connector (art. 618), with copper, crosslinked polyethylene (PEX) or polybutylene.

In the case of use with PEX or polybutylene it is also requested the use of the liner art. 655.



SIZE	PRESSURE	CODE	PACKING
3/8" (DN 10)	10bar/145psi	2960038S	12/132
1/2" (DN 15)	10bar/145psi	2960012S	12/132
3/4" (DN 20)	10bar/145psi	2960034S	10/80

CERTIFICATIONS



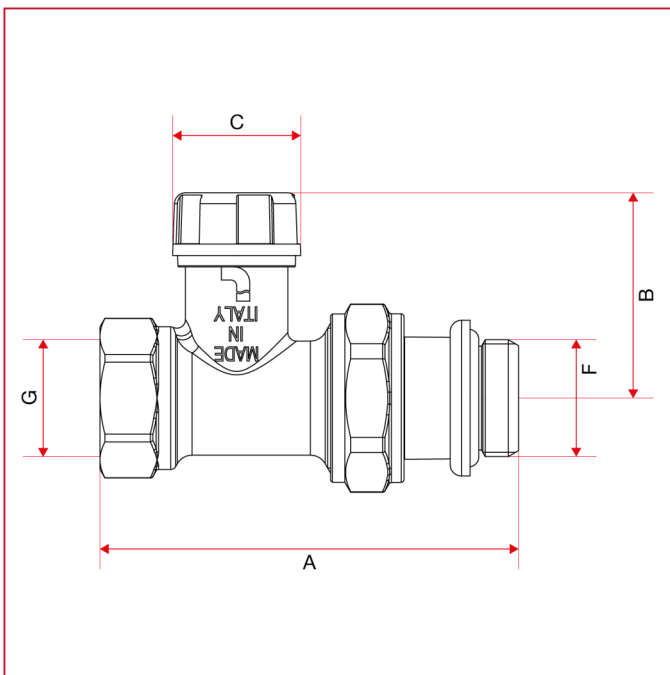
TECHNICAL SPECIFICATIONS

Body in nickel-plated brass.

Maximum working temperature: 110°C.

Threads: ISO 228 (equivalent to DIN EN ISO 228 and BS EN ISO 228).

OVERALL DIMENSIONS

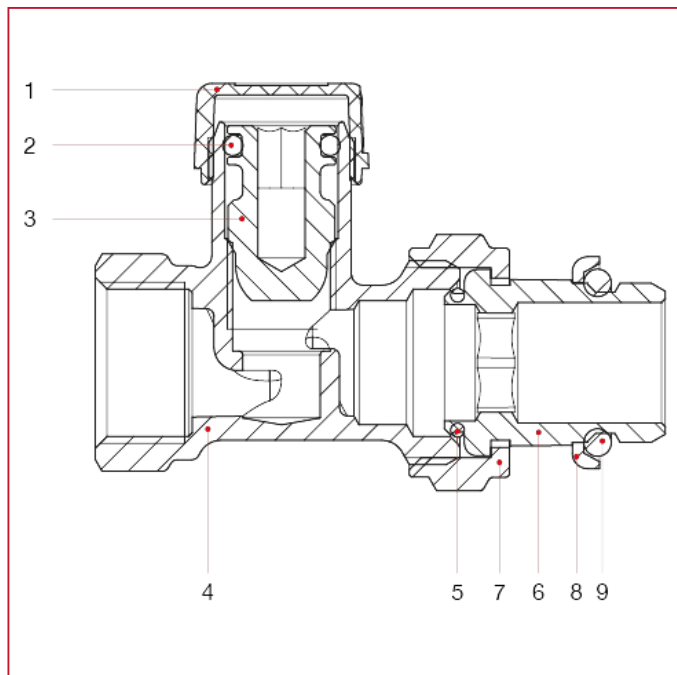




MANUAL VALVES AND LOCKSHIELDS

	3/8"	1/2"	3/4"
DN	10	15	20
A	72	73,5	77,5
B	36	36	39
C	22,5	22,5	25
F	3/8"	1/2"	3/4"
G	3/8"	1/2"	3/4"
Kg/cm ² bar	10	10	10
LBS - psi	145	145	145

MATERIALS



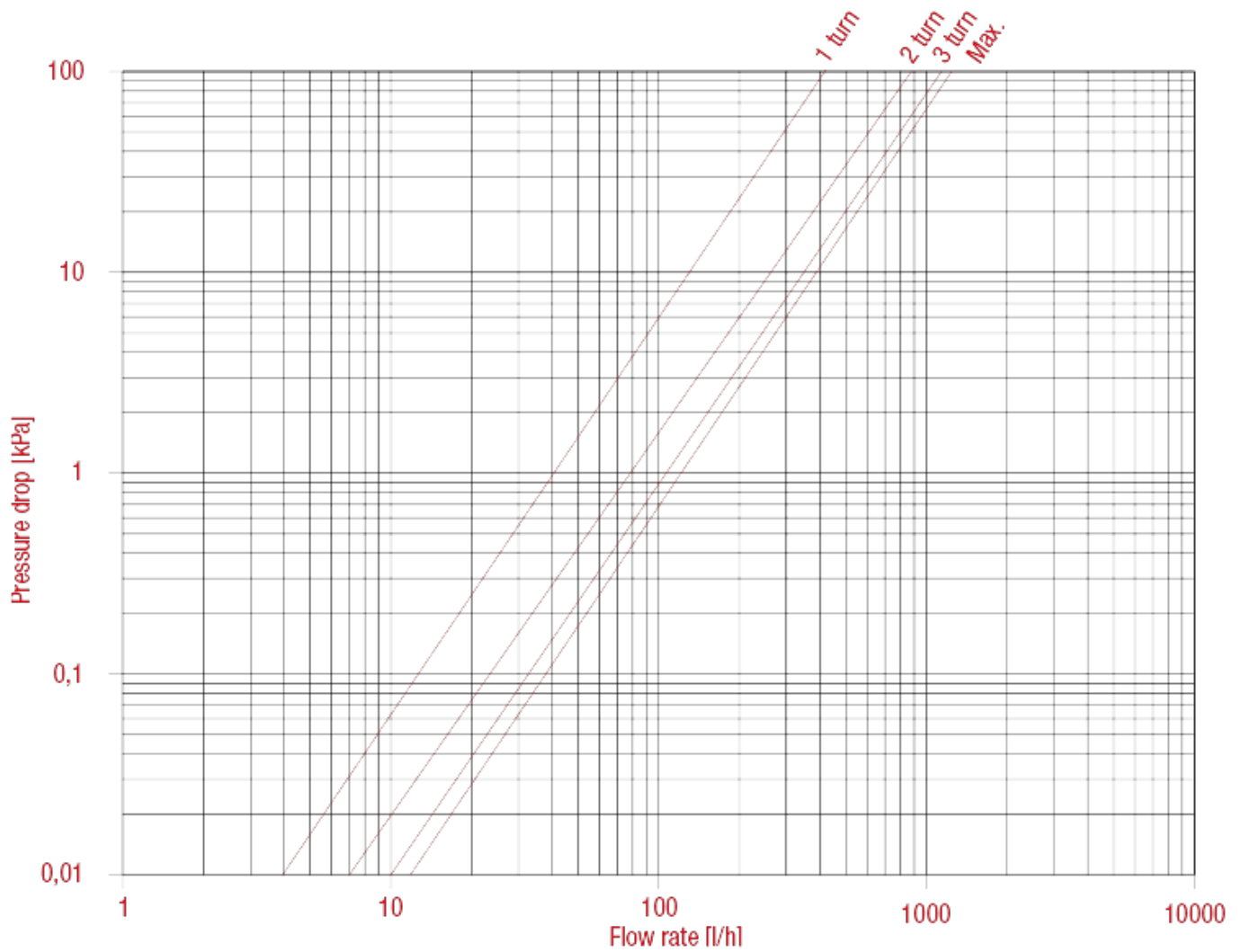
POS.	DESCRIPTION	N.	MATERIAL
1	Cap	1	ABS
2	O-ring	1	EPDM
3	Bonnet	1	Brass CW614N
4	Body	1	Nickel-plated brass CW617N
5	Washer	1	NBR
6	Union	1	Nickel-plated brass CW617N
7	Nut	1	Nickel-plated brass CW617N
8	Ring	1	Zinc-plated steel Fe
9	Washer	1	NBR



MANUAL VALVES AND LOCKSHIELDS

LOSS DIAGRAM (With water) size 3/8"

	3/8"	1/2"	3/4"
KV	1turn:0,4;2turn:0,9;3turn:1,1;MA X:1,26	1turn:0,6;2turn:1,2;3turn:1,6;MA X:1,72	1turn:0,6;2turn:0,9;3turn:1,5;MA X:2,15

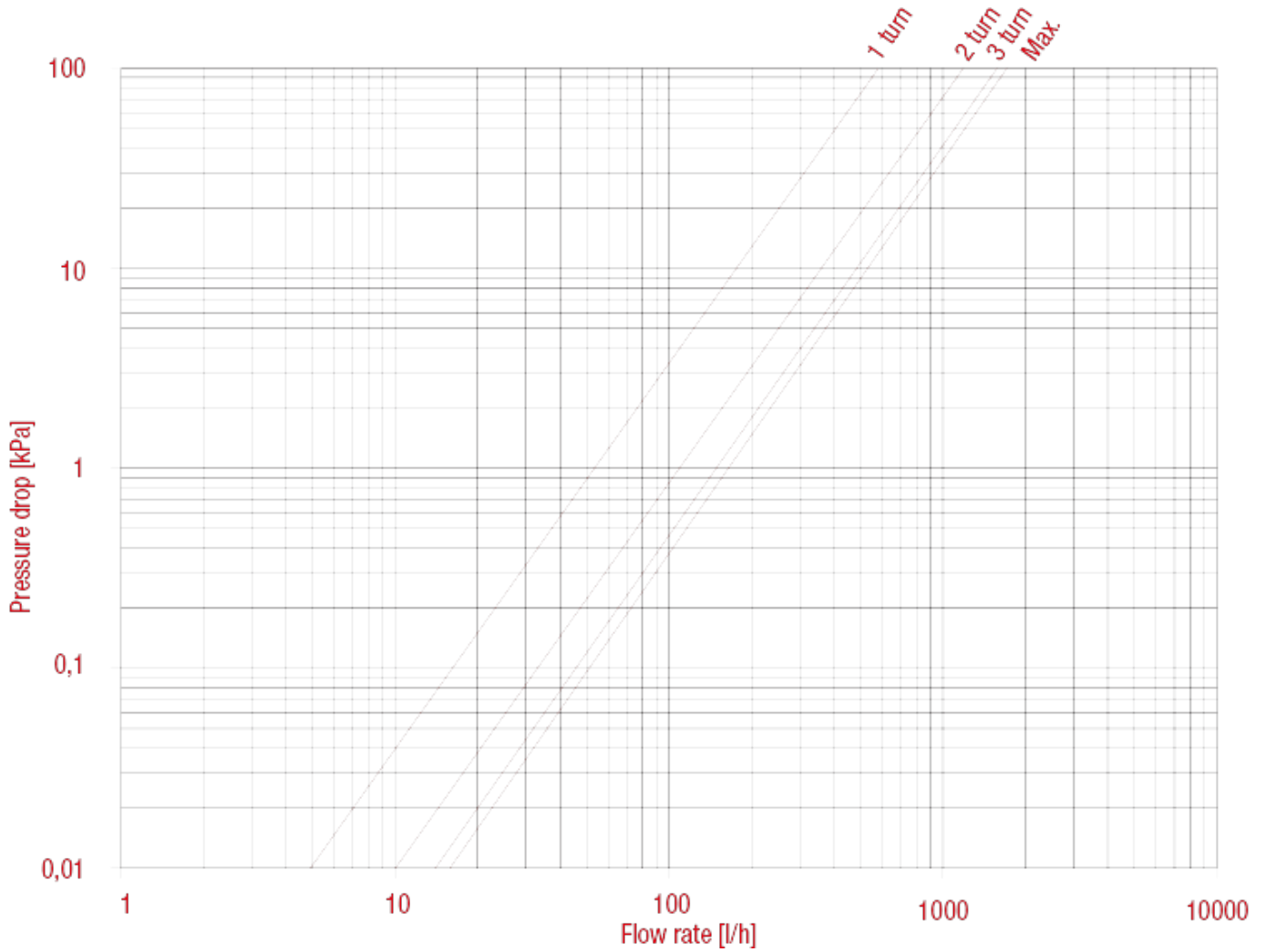




MANUAL VALVES AND LOCKSHIELDS

LOSS DIAGRAM (With water) size 1/2"

	3/8"	1/2"	3/4"
KV	1turn:0,4;2turn:0,9;3turn:1,1;MA X:1,26	1turn:0,6;2turn:1,2;3turn:1,6;MA X:1,72	1turn:0,6;2turn:0,9;3turn:1,5;MA X:2,15

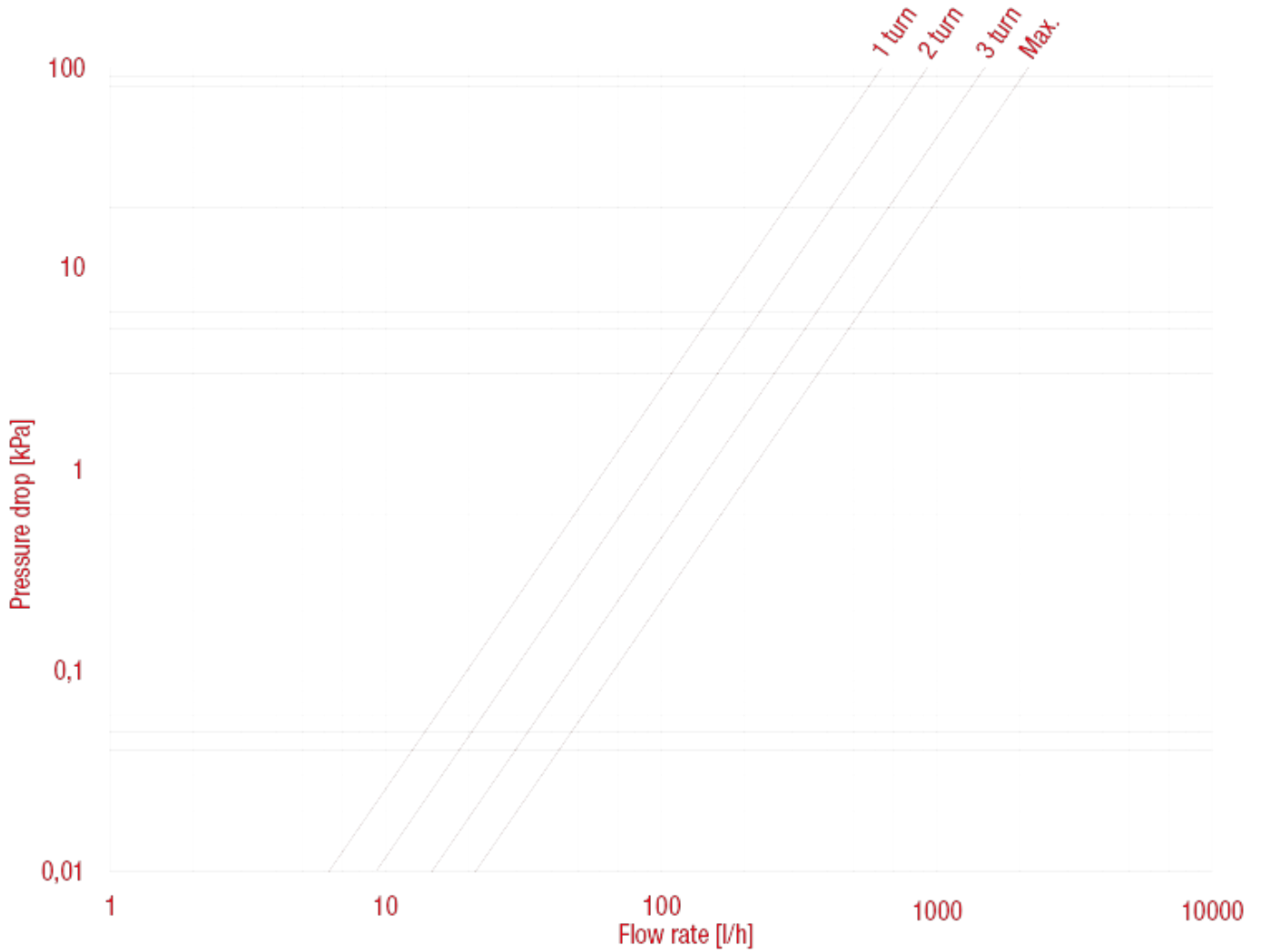




MANUAL VALVES AND LOCKSHIELDS

LOSS DIAGRAM (With water) size 3/4"

	3/8"	1/2"	3/4"
KV	1turn:0,4;2turn:0,9;3turn:1,1;MAX:1,26	1turn:0,6;2turn:1,2;3turn:1,6;MAX:1,72	1turn:0,6;2turn:0,9;3turn:1,5;MAX:2,15





MANUAL VALVES AND LOCKSHIELDS

394S Angle manual valve

To be used with iron piping or, together with an Itap-Fit® connector (art. 618), with copper, crosslinked polyethylene (PEX) or polybutylene.

In the case of use with PEX or polybutylene it is also requested the use of the liner art. 655.



SIZE	PRESSURE	CODE	PACKING
3/8" (DN 10)	10bar/145psi	3940038S	12/96
1/2" (DN 15)	10bar/145psi	3940012S	12/96
3/4" (DN 20)	10bar/145psi	3940034S	10/80

CERTIFICATIONS



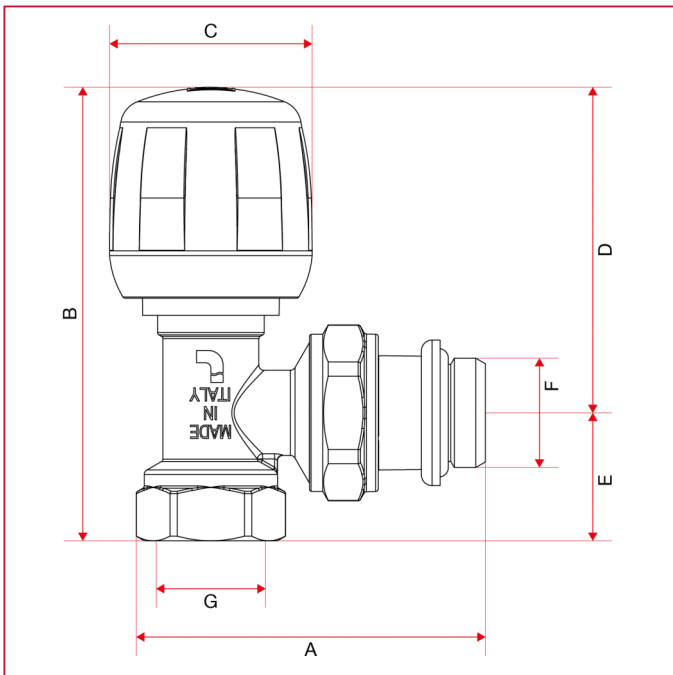
TECHNICAL SPECIFICATIONS

Body in nickel-plated brass.

Maximum working temperature: 110°C.

Threads: ISO 228 (equivalent to DIN EN ISO 228 and BS EN ISO 228).

OVERALL DIMENSIONS

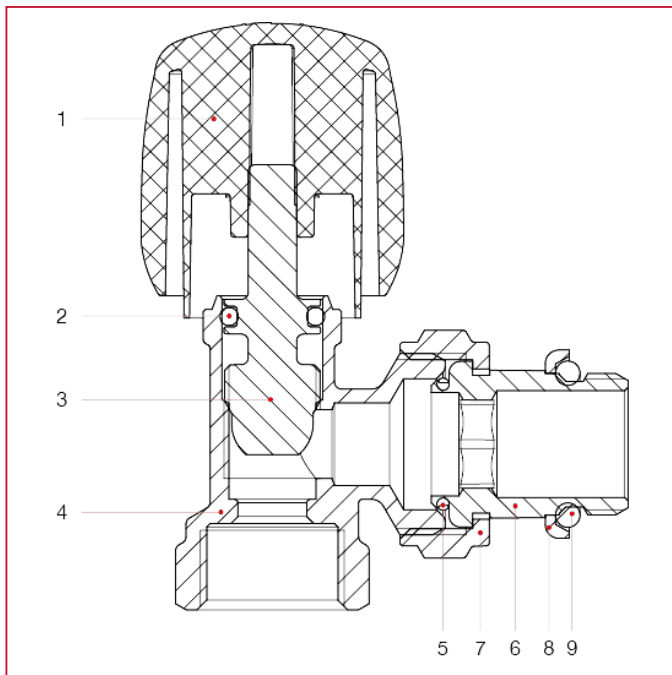




MANUAL VALVES AND LOCKSHIELDS

	3/8"	1/2"	3/4"
DN	10	15	20
A	49	51,5	58
B	82,6	85,1	86,8
C	38	38	38
D	61,1	61,1	63,4
E	21,5	24	23,4
F	3/8"	1/2"	3/4"
G	3/8"	1/2"	3/4"
Kg/cm ² bar	10	10	10
LBS - psi	145	145	145

MATERIALS



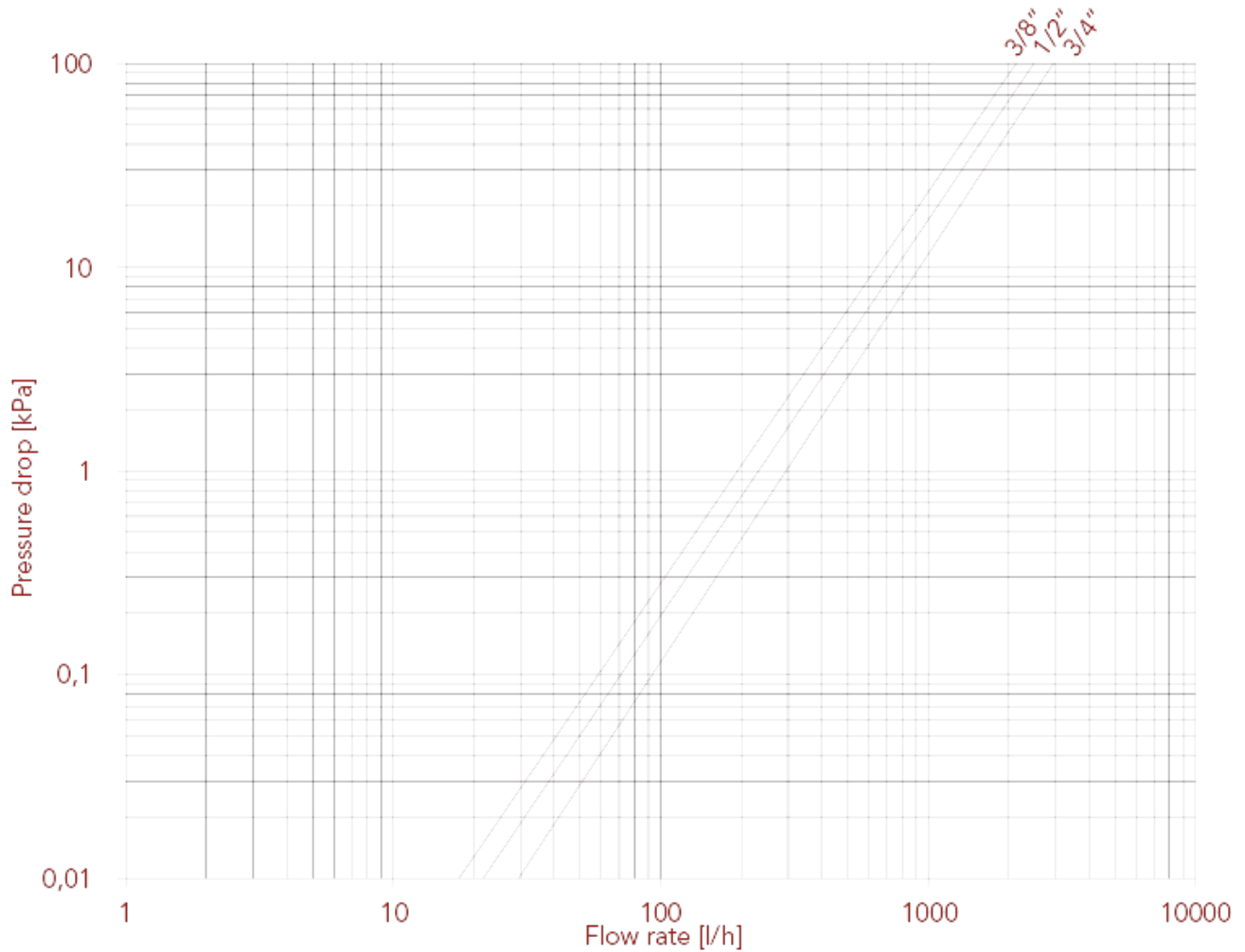
POS.	DESCRIPTION	N.	MATERIAL
1	Handle	1	ABS
2	O-ring	1	EPDM
3	Bonnet	1	Brass CW614N
4	Body	1	Nickel-plated brass CW617N
5	Washer	1	NBR
6	Union	1	Nickel-plated brass CW617N
7	Nut	1	Nickel-plated brass CW617N
8	Ring	1	Steel Fe
9	Washer	1	NBR



MANUAL VALVES AND LOCKSHIELDS

LOSS DIAGRAM (With water)

	3/8"	1/2"	3/4"
KV	2,13	2,51	2,94





MANUAL VALVES AND LOCKSHIELDS

396S Angle lockshield

To be used with iron piping or, together with an Itap-Fit® connector (art. 618), with copper, crosslinked polyethylene (PEX) or polybutylene.

In the case of use with PEX or polybutylene it is also requested the use of the liner art. 655.



SIZE	PRESSURE	CODE	PACKING
3/8" (DN 10)	10bar/145psi	3960038S	12/132
1/2" (DN 15)	10bar/145psi	3960012S	12/156
3/4" (DN 20)	10bar/145psi	3960034S	10/80

CERTIFICATIONS



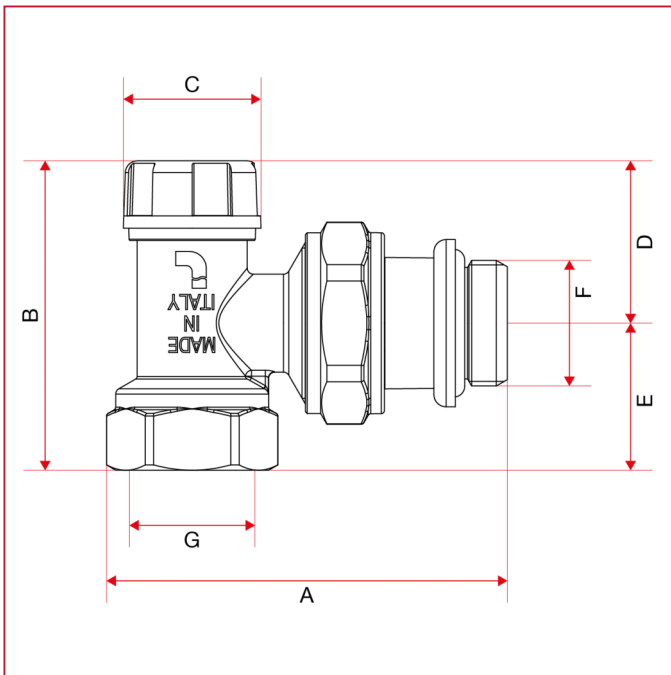
TECHNICAL SPECIFICATIONS

Body in nickel-plated brass.

Maximum working temperature: 110°C.

Threads: ISO 228 (equivalent to DIN EN ISO 228 and BS EN ISO 228).

OVERALL DIMENSIONS

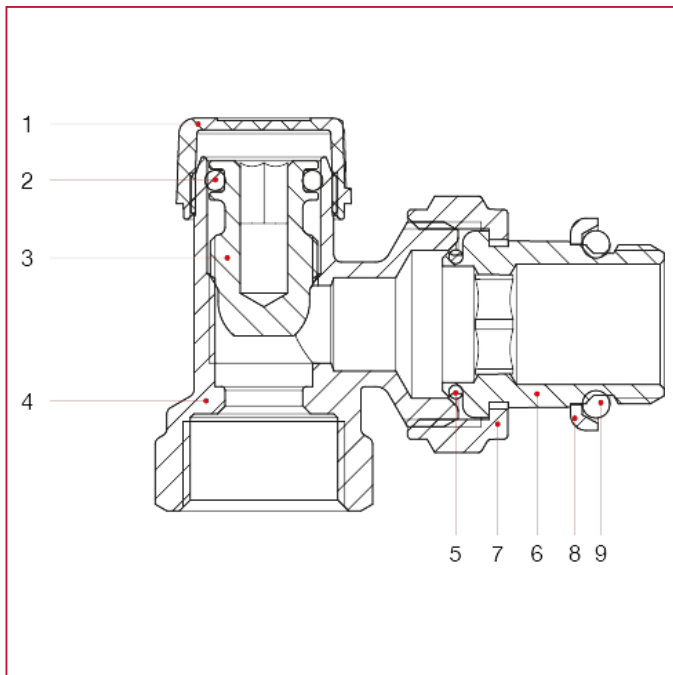




MANUAL VALVES AND LOCKSHIELDS

	3/8"	1/2"	3/4"
DN	10	15	20
A	50	51,5	58
B	48	50,5	53,7
C	22,5	22,5	25
D	26,5	26,5	30,3
E	21,5	24	23,4
F	3/8"	1/2"	3/4"
G	3/8"	1/2"	3/4"
Kg/cm2 bar	10	10	10
LBS - psi	145	145	145

MATERIALS



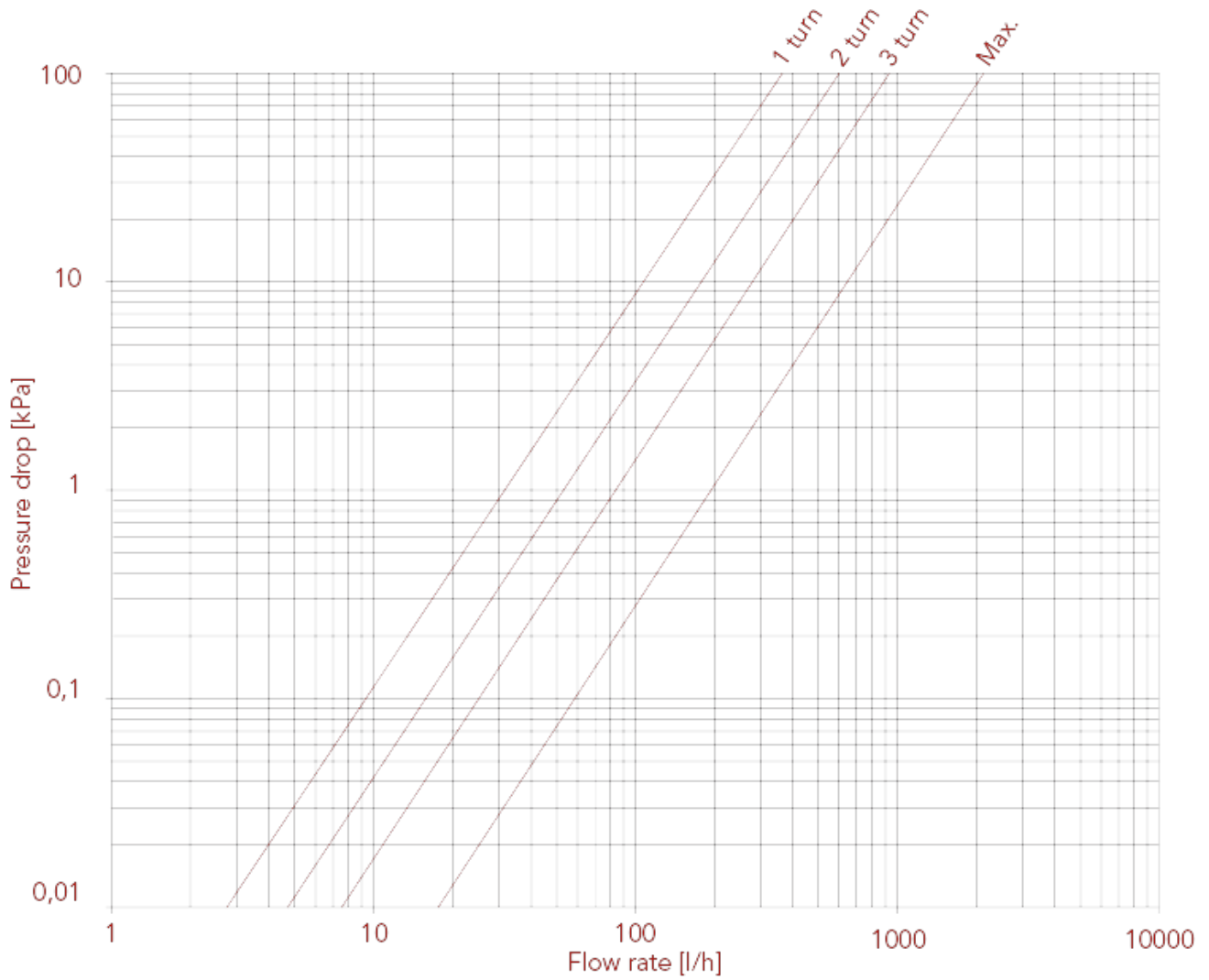
POS.	DESCRIPTION	N.	MATERIAL
1	Cap	1	ABS
2	O-ring	1	EPDM
3	Bonnet	1	Brass CW614N
4	Body	1	Nickel-plated brass CW617N
5	Washer	1	NBR
6	Union	1	Nickel-plated brass CW617N
7	Nut	1	Nickel-plated brass CW617N
8	Ring	1	Zinc-plated steel Fe
9	Washer	1	NBR



MANUAL VALVES AND LOCKSHIELDS

LOSS DIAGRAM (With water) size 3/8"

	3/8"	1/2"	3/4"
KV	1turn:0,38;2turn:0,60;3turn:0,92; MAX:2,13	1turn:0,42;2turn:0,70;3turn:1,10; MAX:2,51	1turn:0,60;2turn:1,02;3turn:1,54; MAX:2,94

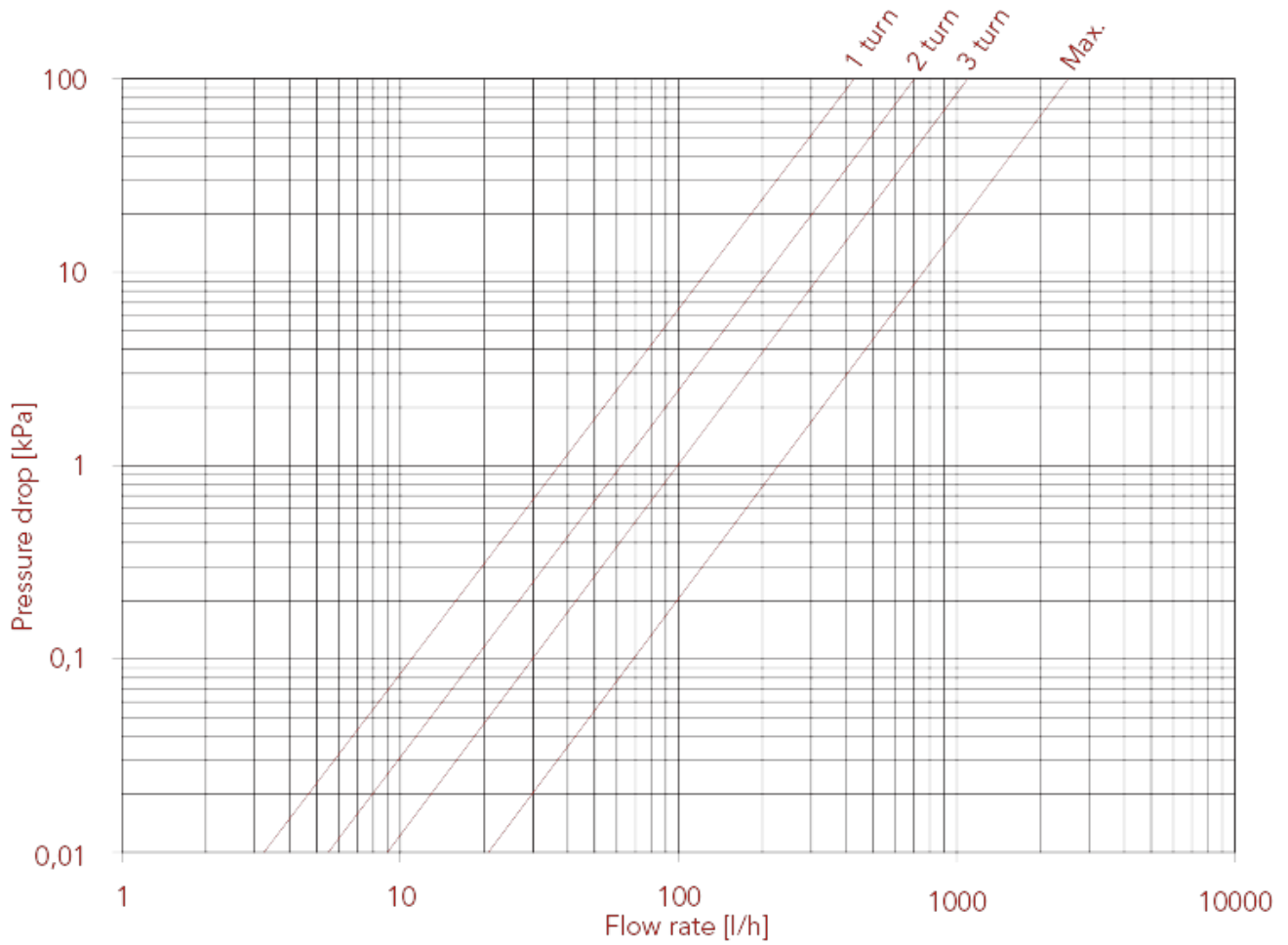




MANUAL VALVES AND LOCKSHIELDS

LOSS DIAGRAM (With water) size 1/2"

	3/8"	1/2"	3/4"
KV	1turn:0,38;2turn:0,60;3turn:0,92; MAX:2,13	1turn:0,42;2turn:0,70;3turn:1,10; MAX:2,51	1turn:0,60;2turn:1,02;3turn:1,54; MAX:2,94

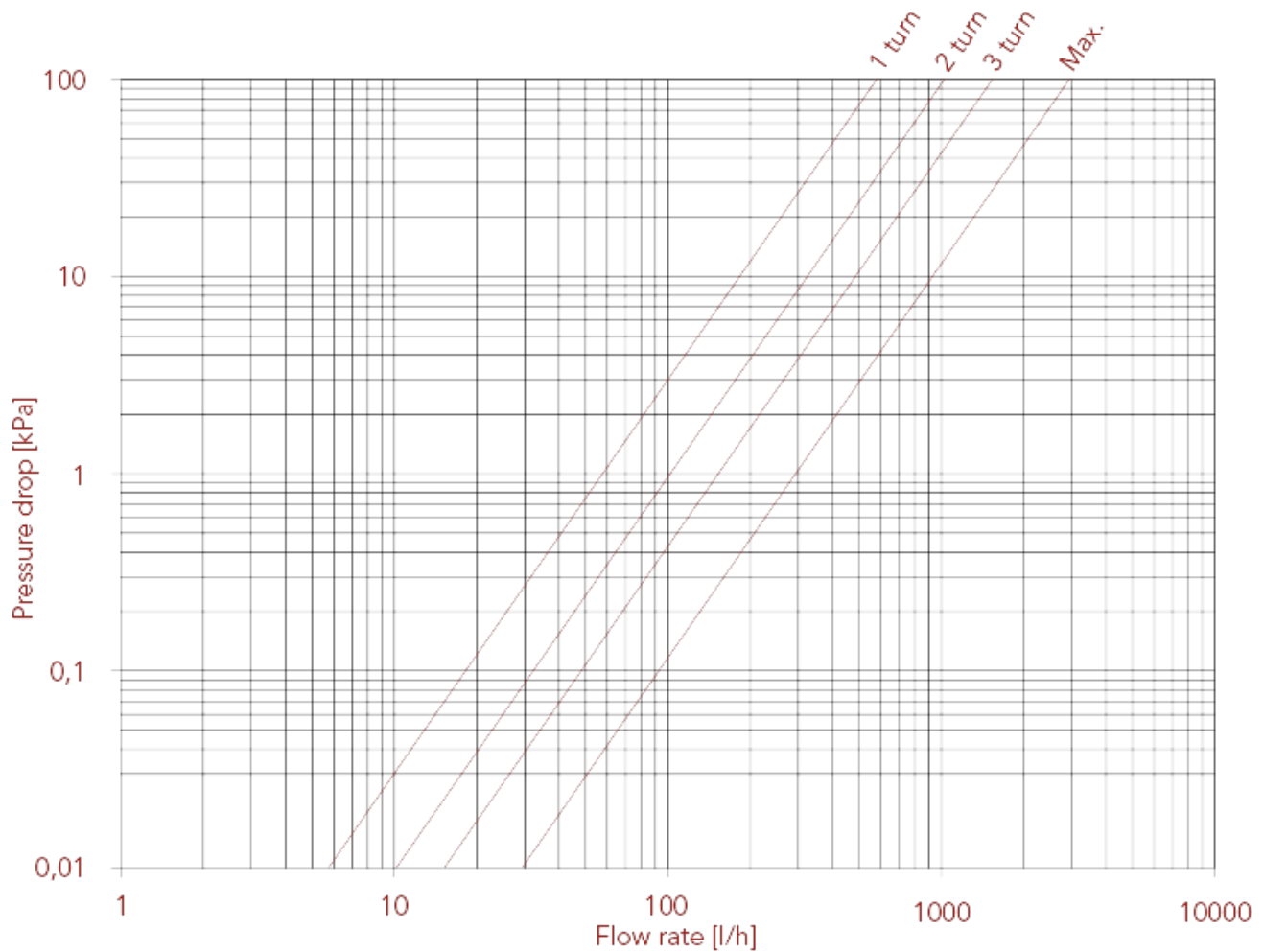




MANUAL VALVES AND LOCKSHIELDS

LOSS DIAGRAM (With water) size 3/4"

	3/8"	1/2"	3/4"
KV	1turn:0,38;2turn:0,60;3turn:0,92; MAX:2,13	1turn:0,42;2turn:0,70;3turn:1,10; MAX:2,51	1turn:0,60;2turn:1,02;3turn:1,54; MAX:2,94





MANUAL VALVES AND LOCKSHIELDS

295S Straight manual valve

To be used with multilayer, PEX or polybutylene piping, together with 595M or 510 Multi-Fit® connectors.

Suitable also for copper piping, together with a compression fitting art. 595.

The male thread "G" is equipped with a conical seat and inner diameter mm.16.



SIZE	PRESSURE	CODE	PACKING
1/2" (DN 15)	10bar/145psi	2950012S	12/96

CERTIFICATIONS



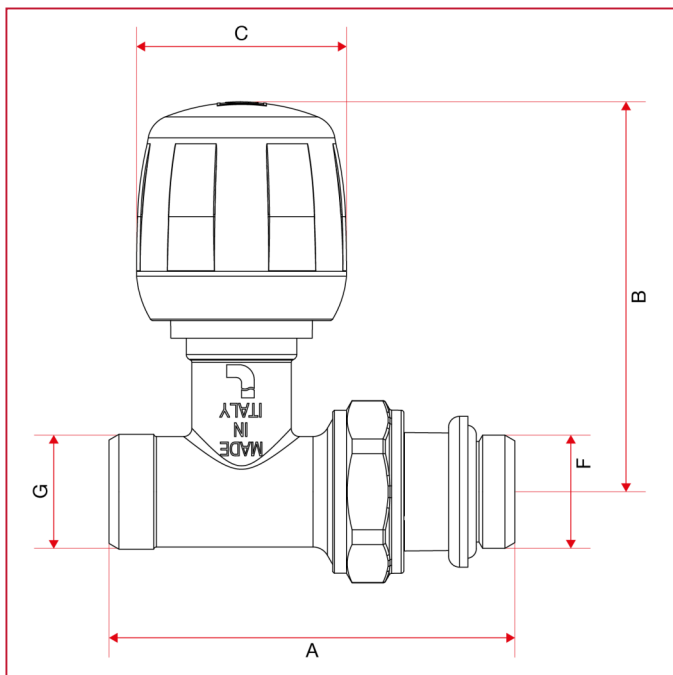
TECHNICAL SPECIFICATIONS

Body in nickel-plated brass.

Maximum working temperature: 110°C.

Threads: ISO 228 (equivalent to DIN EN ISO 228 and BS EN ISO 228).

OVERALL DIMENSIONS

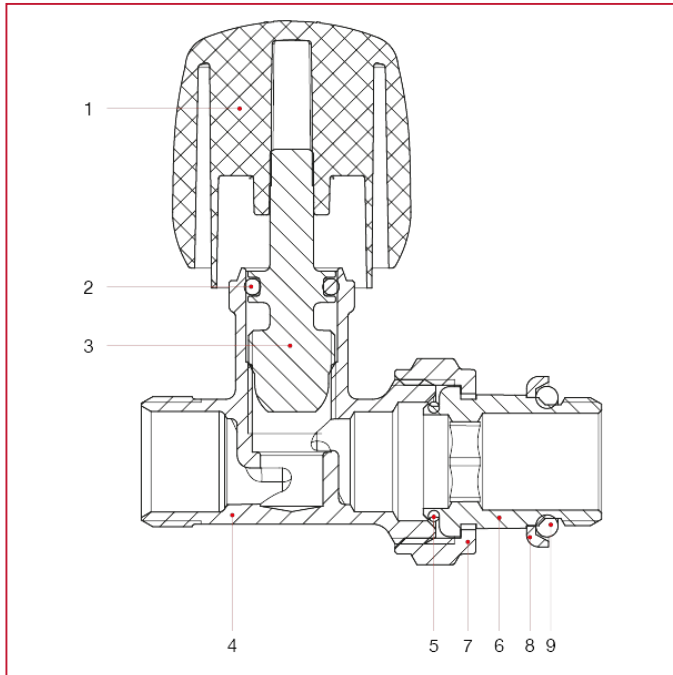




MANUAL VALVES AND LOCKSHIELDS

	1/2"
DN	15
A	73,5
B	70,6
C	38
F	1/2"
G	1/2"
Kg/cm ² bar	10
LBS - psi	145

MATERIALS



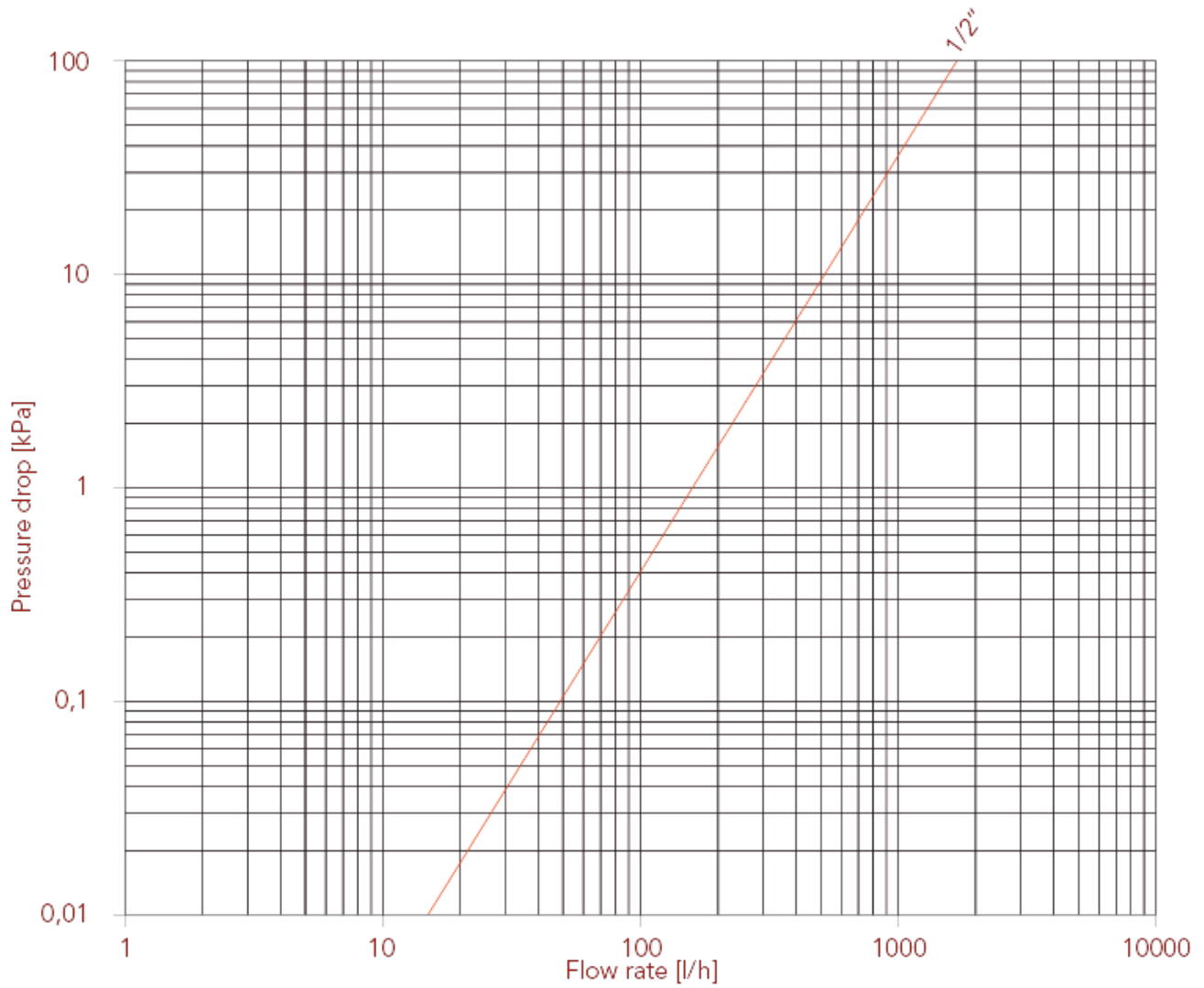
POS.	DESCRIPTION	N.	MATERIAL
1	Handle	1	ABS
2	O-ring	1	EPDM
3	Bonnet	1	Brass CW614N
4	Body	1	Nickel-plated brass CW617N
5	Washer	1	NBR
6	Union	1	Nickel-plated brass CW617N
7	Nut	1	Nickel-plated brass CW617N
8	Ring	1	Steel Fe
9	Washer	1	NBR



MANUAL VALVES AND LOCKSHIELDS

LOSS DIAGRAM (With water)

KV	1/2"
	1,72





MANUAL VALVES AND LOCKSHIELDS

297S Straight lockshield

To be used with multilayer, PEX or polybutylene piping, together with 595M or 510 Multi-Fit® connectors.

Suitable also for copper piping, together with a compression fitting art. 595.

The male thread "G" is equipped with a conical seat and inner diameter mm.16.



SIZE	PRESSURE	CODE	PACKING
3/8" (DN 10)	10bar/145psi	2970038S	12/192
1/2" (DN 15)	10bar/145psi	2970012S	12/156

CERTIFICATIONS



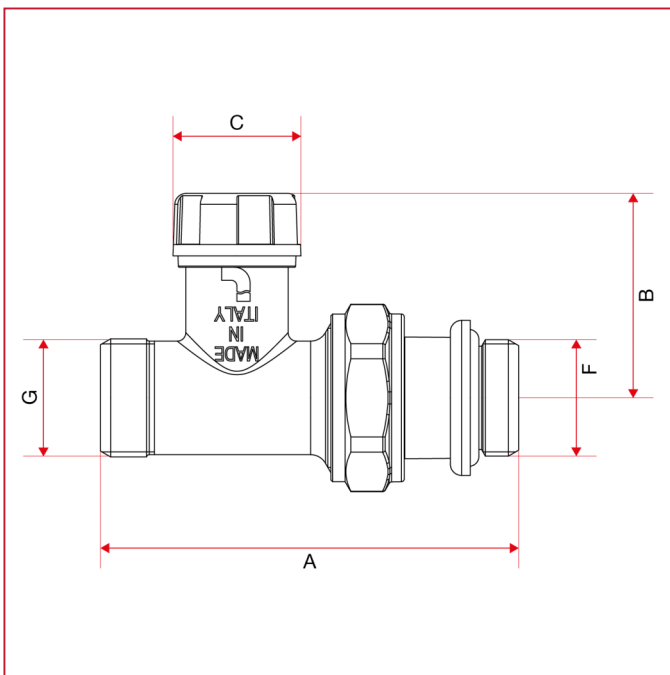
TECHNICAL SPECIFICATIONS

Body in nickel-plated brass.

Maximum working temperature: 110°C.

Threads: ISO 228 (equivalent to DIN EN ISO 228 and BS EN ISO 228).

OVERALL DIMENSIONS

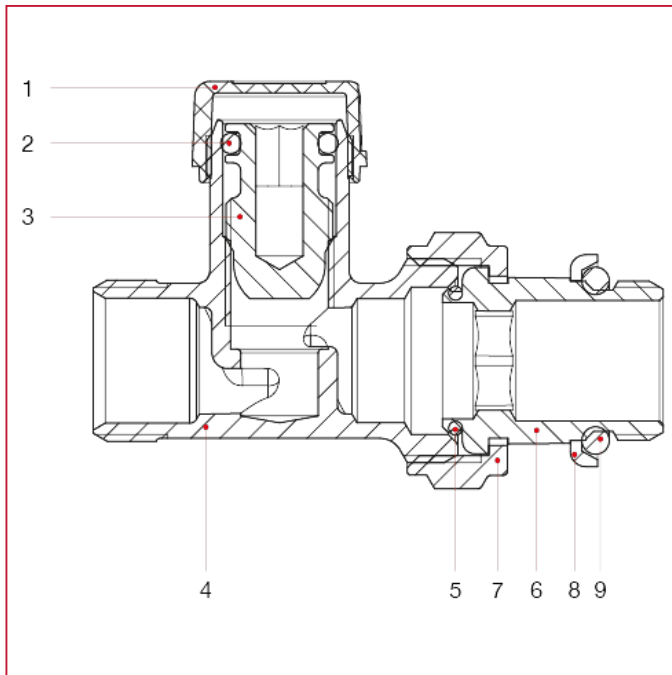




MANUAL VALVES AND LOCKSHIELDS

	3/8"	1/2"
DN	10	15
A	72	73,5
B	36	36
C	22,5	22,5
F	3/8"	1/2"
G	1/2"	1/2"
Kg/cm ² bar	10	10
LBS - psi	145	145

MATERIALS



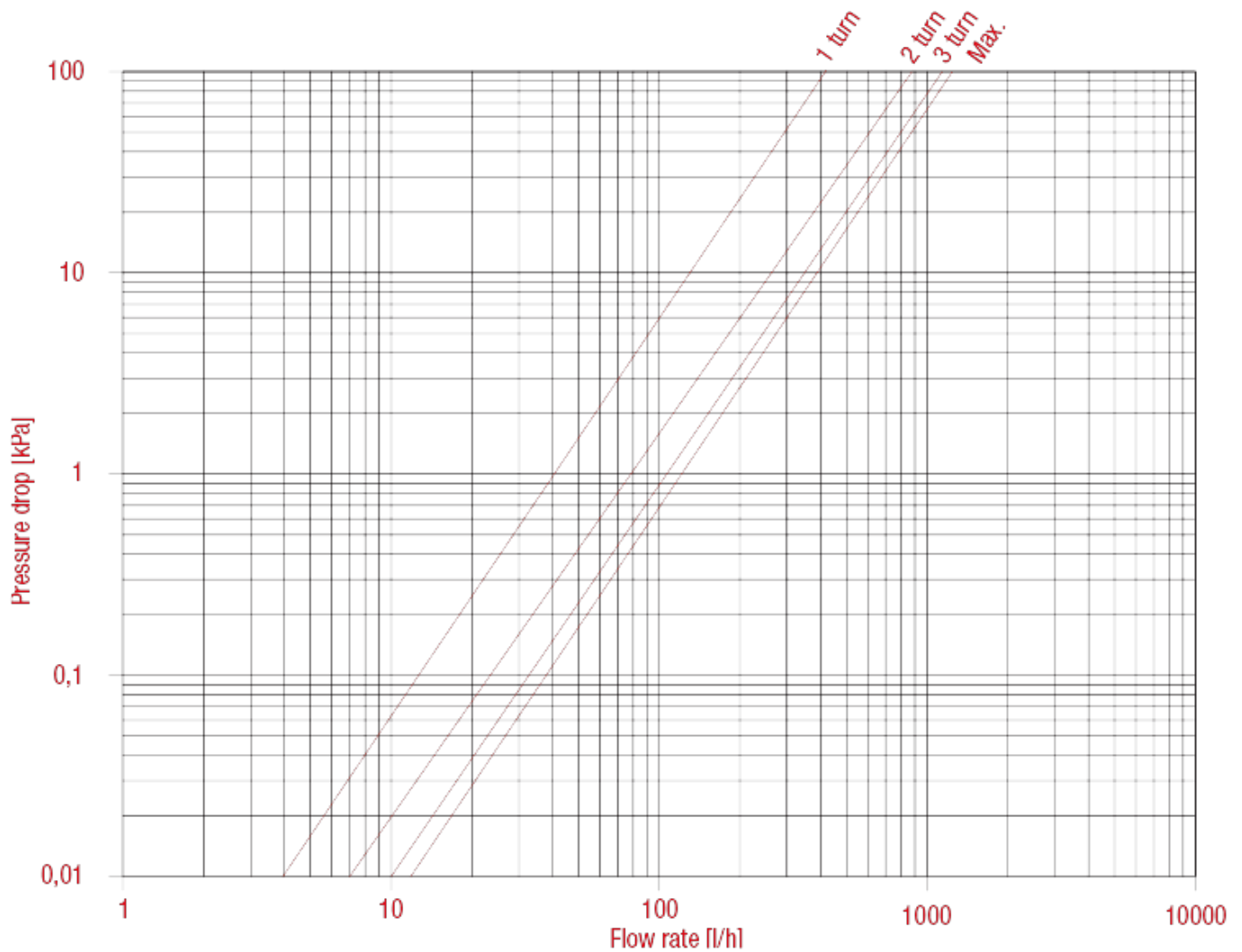
POS.	DESCRIPTION	N.	MATERIAL
1	Cap	1	ABS
2	O-ring	1	EPDM
3	Bonnet	1	Brass CW614N
4	Body	1	Nickel-plated brass CW617N
5	Washer	1	NBR
6	Union	1	Nickel-plated brass CW617N
7	Nut	1	Nickel-plated brass CW617N
8	Ring	1	Zinc-plated steel Fe
9	Washer	1	NBR



MANUAL VALVES AND LOCKSHIELDS

LOSS DIAGRAM (With water) size 3/8"

	3/8"	1/2"
KV	1turn:0,4;2turn:0,9;3turn:1,1;MAX:1,26	1turn:0,6;2turn:1,2;3turn:1,6;MAX:1,72

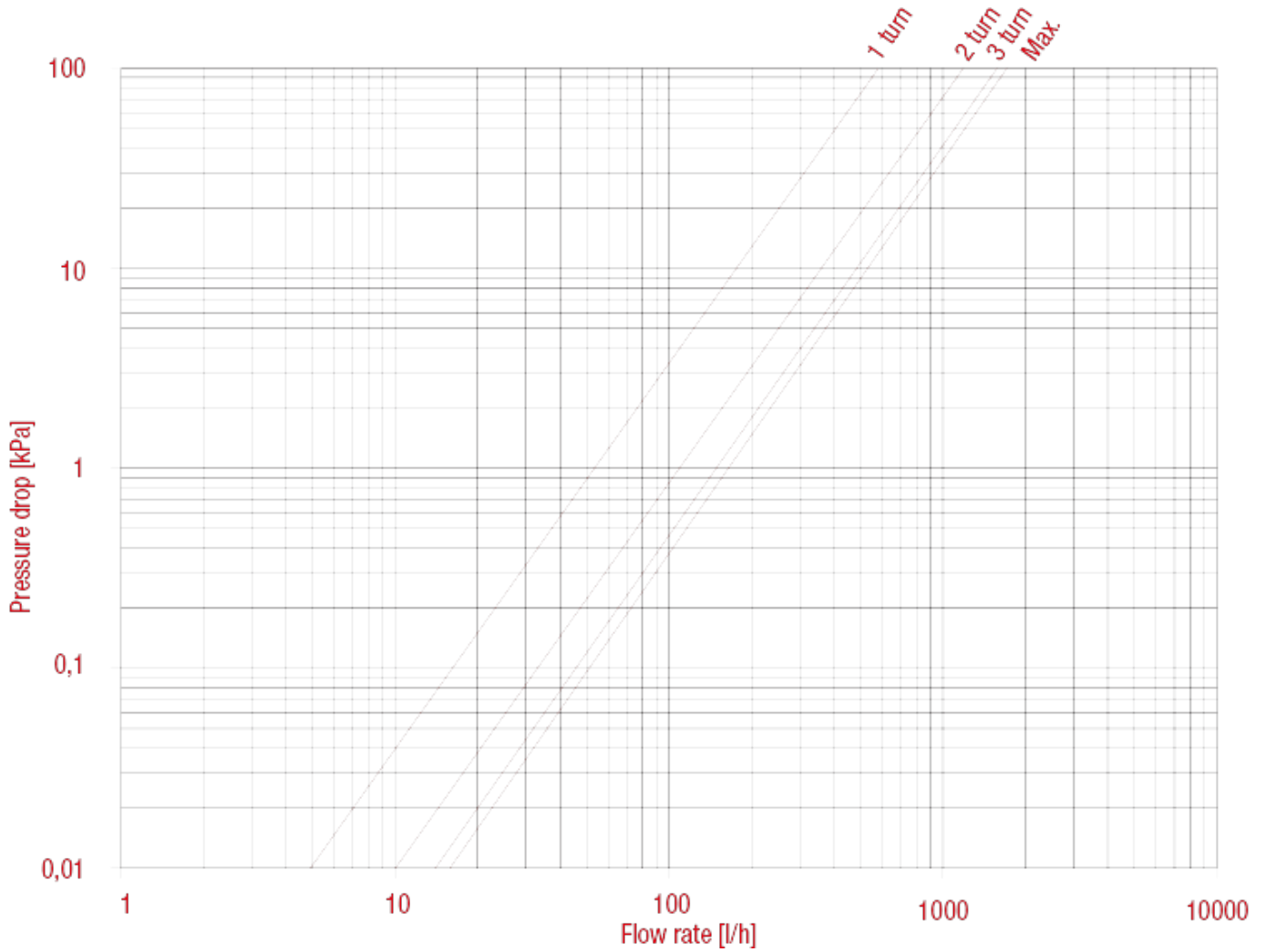




MANUAL VALVES AND LOCKSHIELDS

LOSS DIAGRAM (With water) size 1/2"

KV	3/8"	1/2"
	1turn:0,4;2turn:0,9;3turn:1,1;MAX:1,26	1turn:0,6;2turn:1,2;3turn:1,6;MAX:1,72





MANUAL VALVES AND LOCKSHIELDS

395S Angle manual valve

To be used with multilayer, PEX or polybutylene piping, together with 595M or 510 Multi-Fit® connectors.

Suitable also for copper piping, together with a compression fitting art. 595.

The male thread "G" is equipped with a conical seat and inner diameter mm.16.



SIZE	PRESSURE	CODE	PACKING
3/8" (DN 10)	10bar/145psi	3950038S	12/96
1/2" (DN 15)	10bar/145psi	3950012S	12/96

CERTIFICATIONS



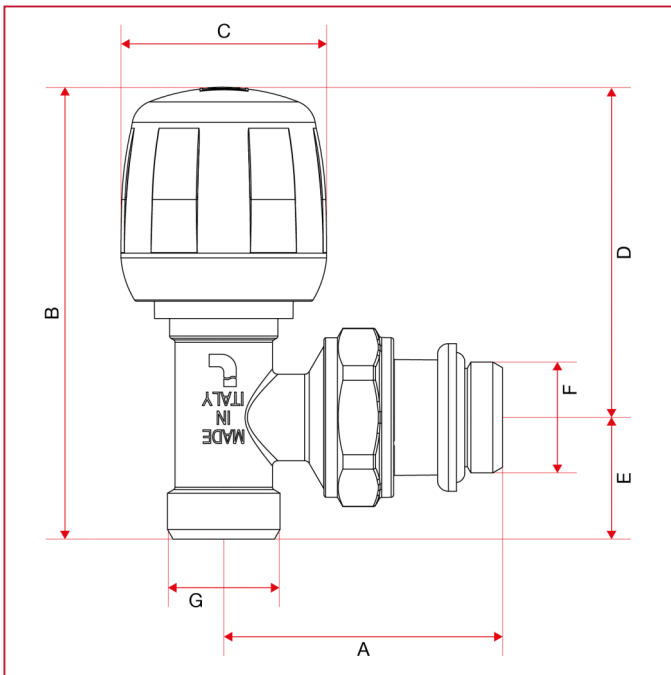
TECHNICAL SPECIFICATIONS

Body in nickel-plated brass.

Maximum working temperature: 110°C.

Threads: ISO 228 (equivalent to DIN EN ISO 228 and BS EN ISO 228).

OVERALL DIMENSIONS

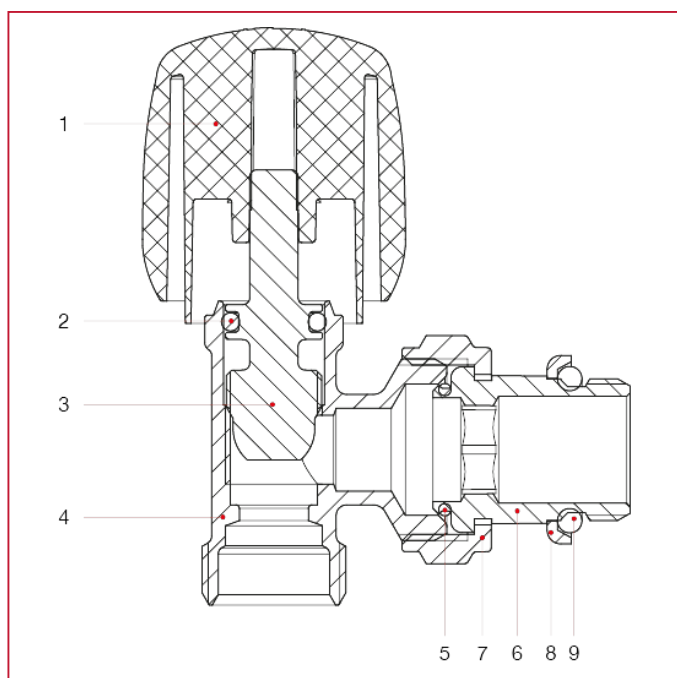




MANUAL VALVES AND LOCKSHIELDS

	3/8"	1/2"
DN	10	15
A	50	51,5
B	74,5	74,5
C	34	34
D	52	52
E	22,5	22,5
F	3/8"	1/2"
G	1/2"	1/2"
Kg/cm2 bar	10	10
LBS - psi	145	145

MATERIALS



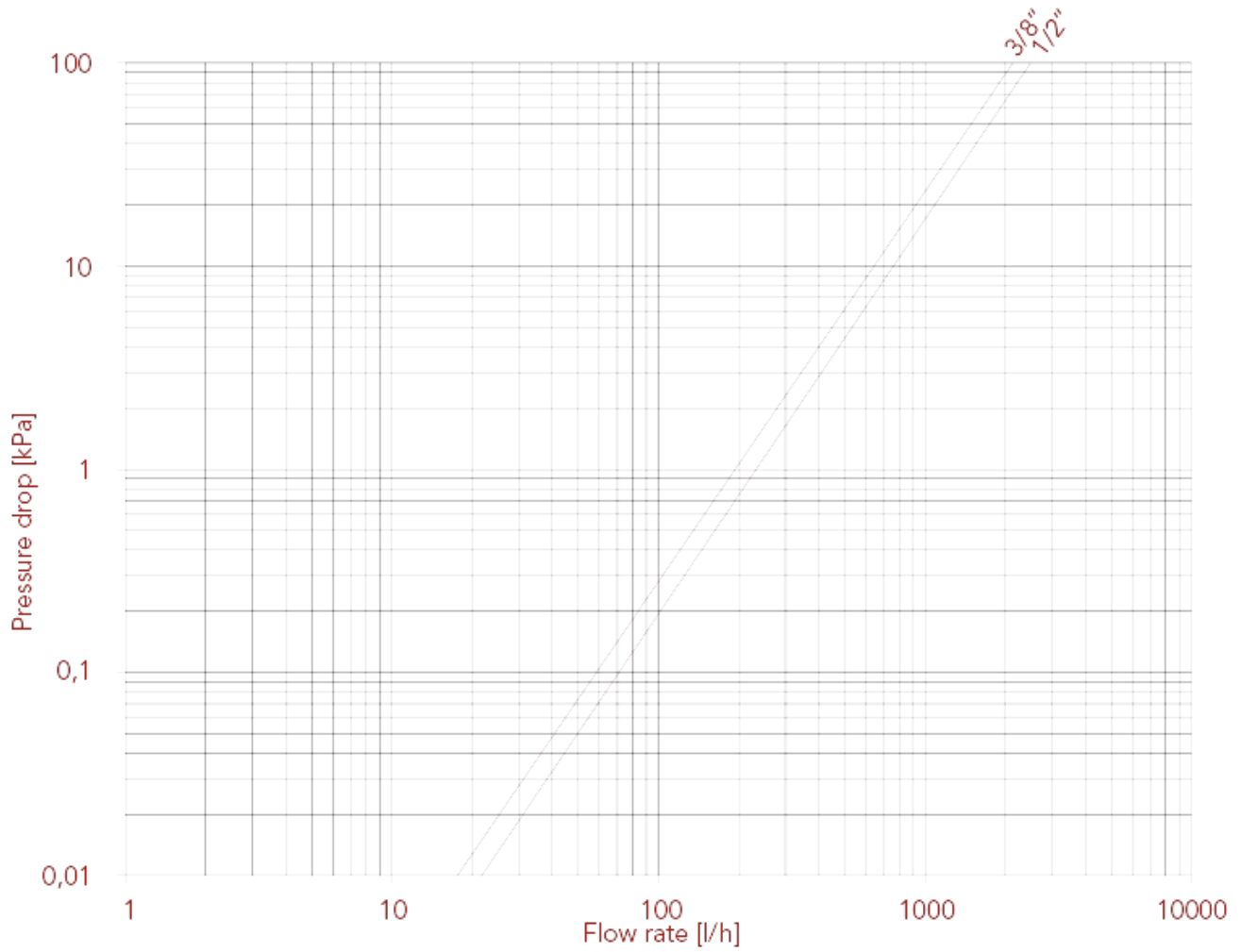
POS.	DESCRIPTION	N.	MATERIAL
1	Handle	1	ABS
2	O-ring	1	EPDM
3	Bonnet	1	Brass CW614N
4	Body	1	Nickel-plated brass CW617N
5	Washer	1	NBR
6	Union	1	Nickel-plated brass CW617N
7	Nut	1	Nickel-plated brass CW617N
8	Ring	1	Steel Fe
9	Washer	1	NBR



MANUAL VALVES AND LOCKSHIELDS

LOSS DIAGRAM (With water)

	3/8"	1/2"
KV	2,13	2,51





MANUAL VALVES AND LOCKSHIELDS

397S Angle lockshield

To be used with multilayer, PEX or polybutylene piping, together with 595M or 510 Multi-Fit® connectors.

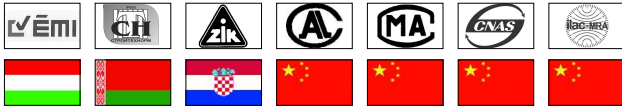
Suitable also for copper piping, together with a compression fitting art. 595.

The male thread "G" is equipped with a conical seat and inner diameter mm.16.



SIZE	PRESSURE	CODE	PACKING
3/8" (DN 10)	10bar/145psi	3970038S	12/132
1/2" (DN 15)	10bar/145psi	3970012S	12/192

CERTIFICATIONS



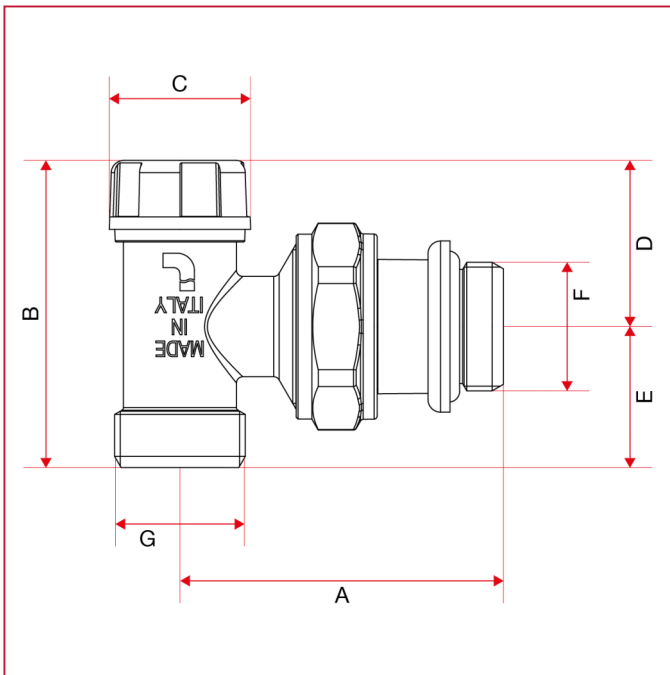
TECHNICAL SPECIFICATIONS

Body in nickel-plated brass.

Maximum working temperature: 110°C.

Threads: ISO 228 (equivalent to DIN EN ISO 228 and BS EN ISO 228).

OVERALL DIMENSIONS

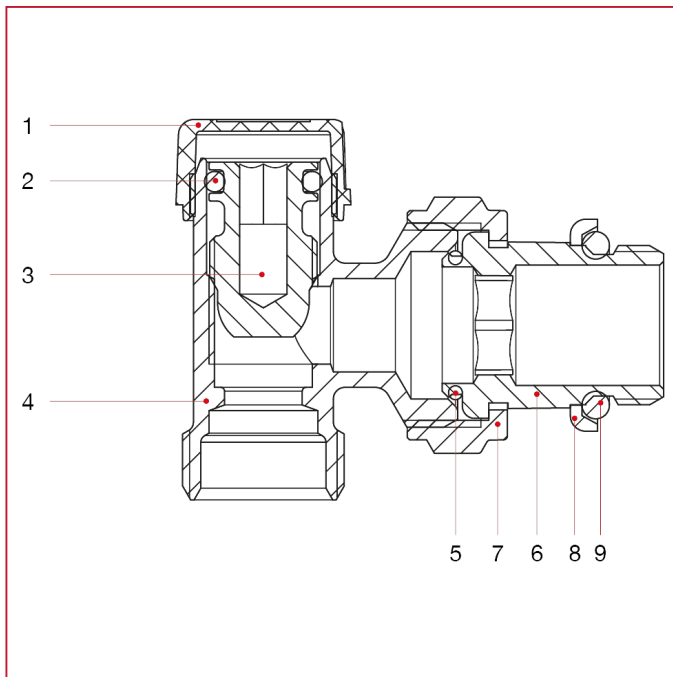




MANUAL VALVES AND LOCKSHIELDS

	3/8"	1/2"
DN	10	15
A	50	51,5
B	49	49
C	22,5	22,5
D	26,5	26,5
E	22,5	22,5
F	3/8"	1/2"
G	1/2"	1/2"
Kg/cm2 bar	10	10
LBS - psi	145	145

MATERIALS



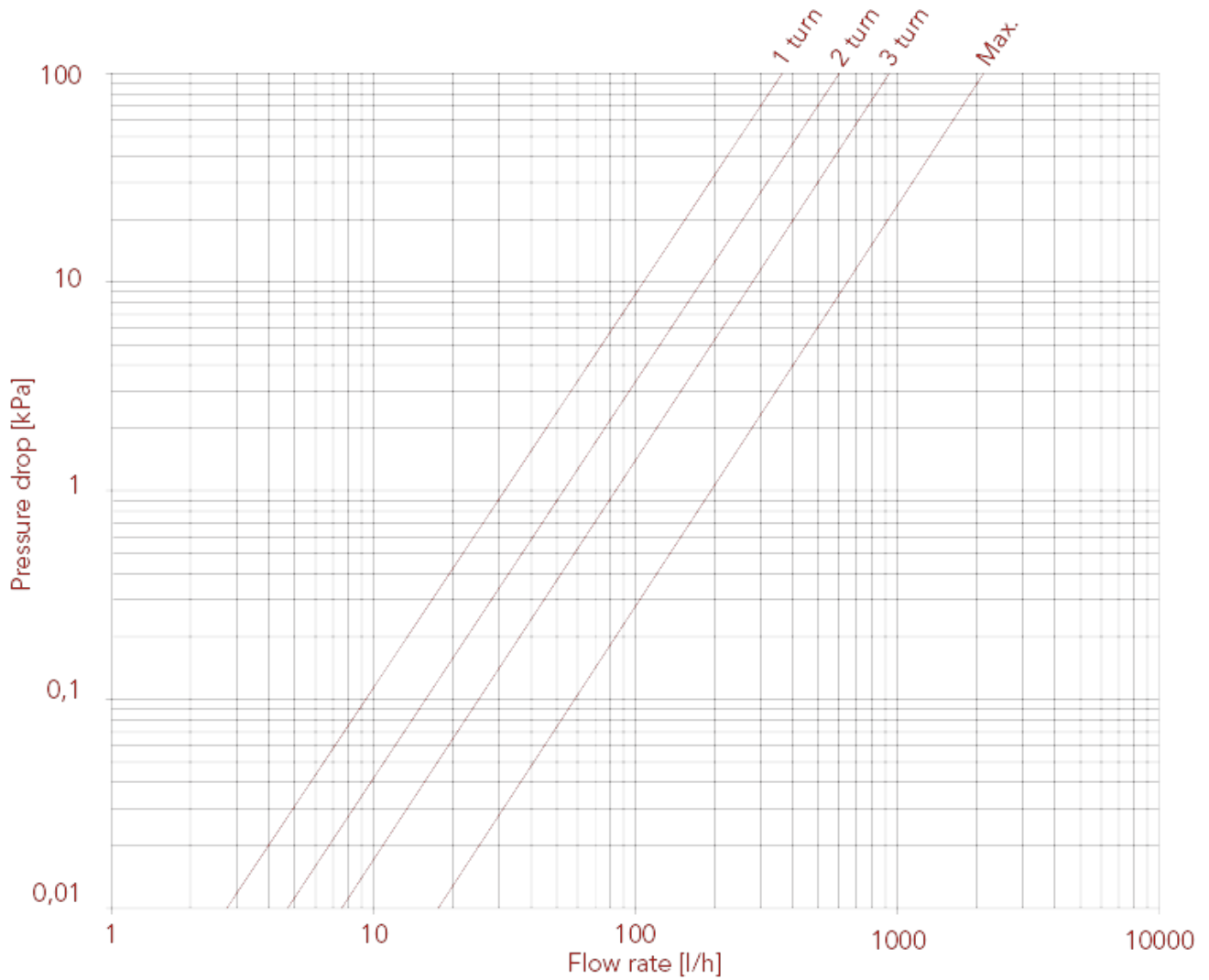
POS.	DESCRIPTION	N.	MATERIAL
1	Cap	1	ABS
2	O-ring	1	EPDM
3	Bonnet	1	Brass CW614N
4	Body	1	Nickel-plated brass CW617N
5	Washer	1	NBR
6	Union	1	Nickel-plated brass CW617N
7	Nut	1	Nickel-plated brass CW617N
8	Ring	1	Zinc-plated steel Fe
9	Washer	1	NBR



MANUAL VALVES AND LOCKSHIELDS

LOSS DIAGRAM (With water) size 3/8"

	3/8"	1/2"
KV	1turn:0,38;2turn:0,60;3turn:0,92;MAX:2,13	1turn:0,42;2turn:0,70;3turn:1,10;MAX:2,51

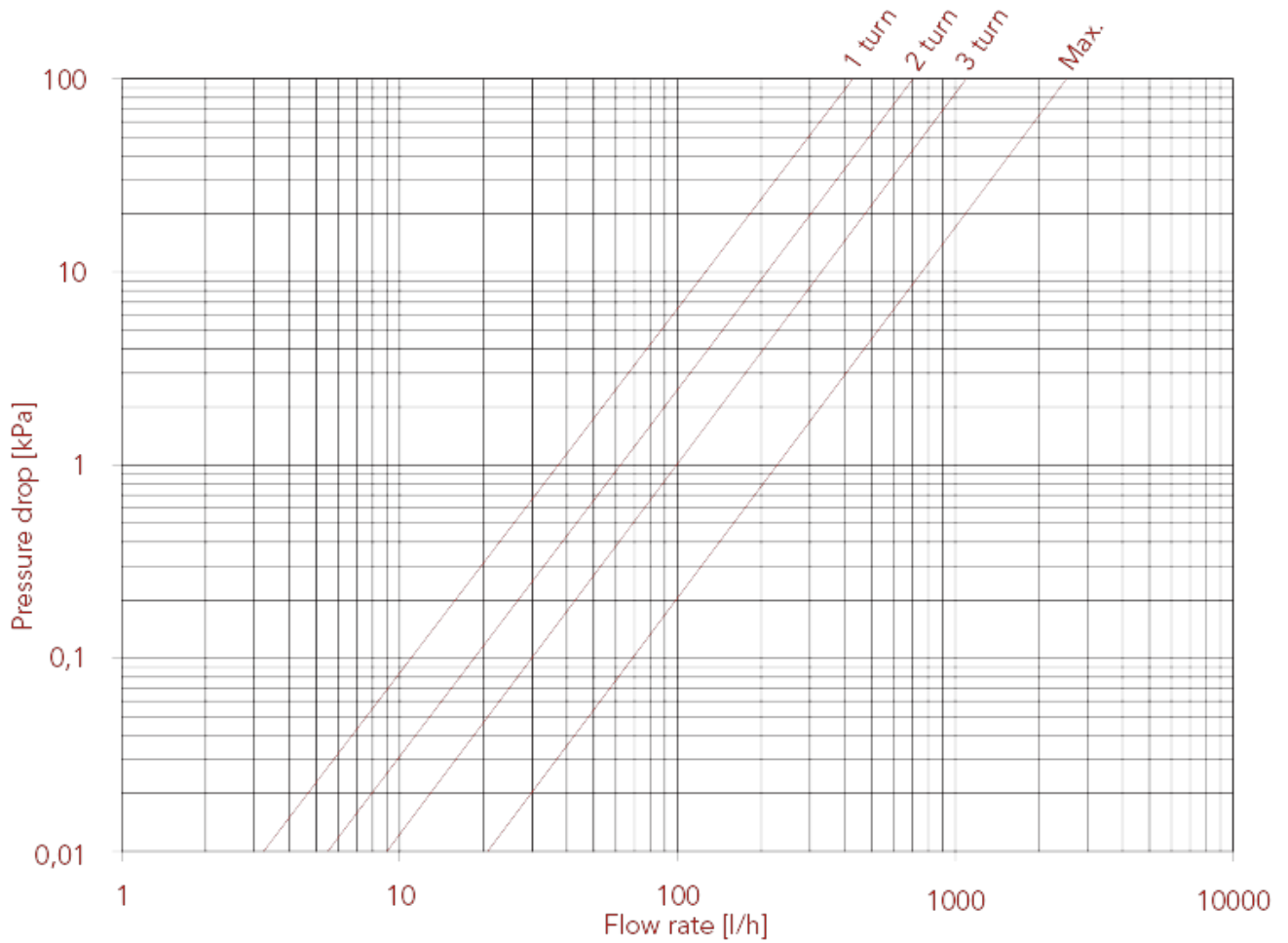




MANUAL VALVES AND LOCKSHIELDS

LOSS DIAGRAM (With water) size 1/2"

	3/8"	1/2"
KV	1turn:0,38;2turn:0,60;3turn:0,92;MAX:2,13	1turn:0,42;2turn:0,70;3turn:1,10;MAX:2,51





ITAP S.p.A.
Via Ruca 19
25065 Lumezzane
Brescia (ITALY)
Tel 030 8927011
Fax 030 8921990
www.itap.it - info@itap.it

We reserve the right to make improvements and changes to the products described herein and to the relative technical data, at any time and without forewarning.

rev. 20211127