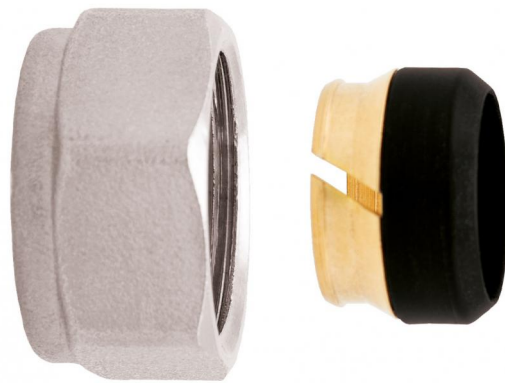




TECHNICAL CATALOGUE

# COMPRESSION FITTINGS FOR COPPER PIPE

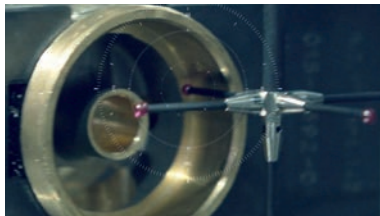
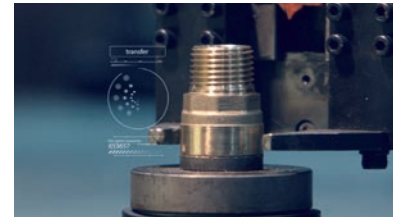
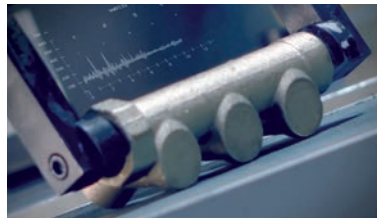
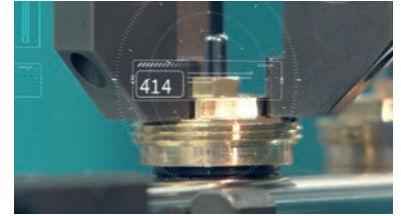
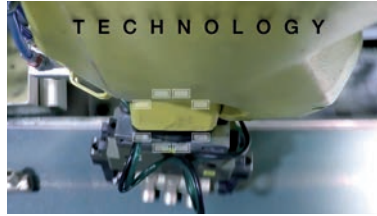


## > THE COMPANY

ITAP SpA, founded in Lumezzane (Brescia) in 1972, is currently one of the leading production companies in Italy of **valves, fittings and distribution manifolds** for plumbing and heating systems.

Thanks to fully automated production processes, with 85 transfer machines and 55 assembly lines, we are able to produce 400,000 pieces per day.

Our innate pursuit for innovation and observance of technical regulations is supported by the company certification ISO 9001. The company has always considered its focus on quality as the main tool to obtain significant business results: today ITAP SpA is proud to offer products bearing the approval of numerous international certifying bodies.



> ITAP products have obtained approvals by more than 30 certification bodies from all over the world.





# COMPRESSION FITTINGS FOR COPPER PIPE

## 595 Nut and tail

WITH BLACK OLIVE FOR WATER SYSTEMS AND FOOD USE  
COMPRESSION FITTINGS FOR COPPER PIPE  
ACCORDING TO UNI EN 1254-2 STANDARD  
size 1/2"  
size 3/4"



### 595 size 1/2"

SIZE	CODE	PACKING
1/2"x10	595001210	50/600
1/2"x12	595001212	50/600
1/2"x14	595001214	50/600
1/2"x15	595001215	50/600
1/2"x16	595001216	50/600

### 595 size 3/4"

SIZE	CODE	PACKING
3/4"x15	595003415	25/300
3/4"x18	595003418	25/300

## CERTIFICATIONS



## TECHNICAL SPECIFICATIONS

The olive complies with EN 681-1 standard.

Minimum and maximum working temperatures: 0°C, 90°C.

Maximum working pressure: 10 bar.

1/2" male thread suitable for conical seats with an inner diameter of 16mm.

3/4" thread suitable for EUROKONUS standard.

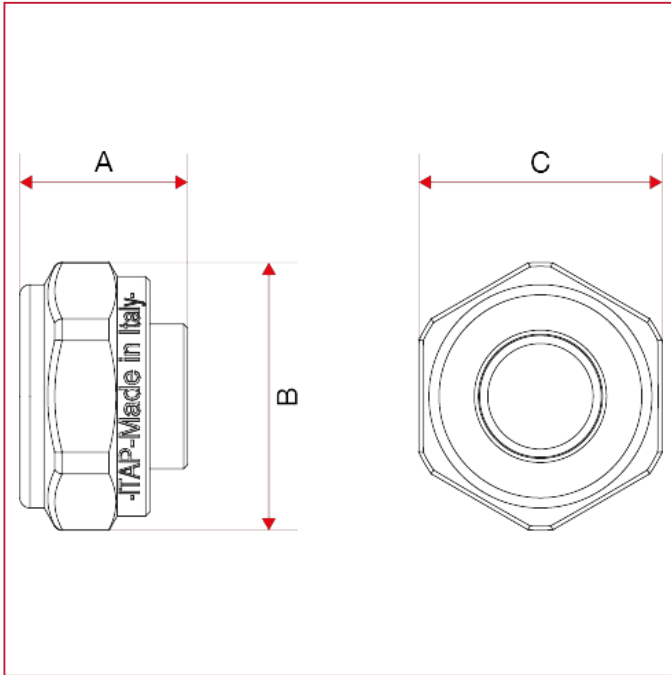
COMPRESSION FITTINGS FOR COPPER PIPES.

WATER SYSTEMS AND FOOD USE.



# COMPRESSION FITTINGS FOR COPPER PIPE

## OVERALL DIMENSIONS



### 595 size 1/2"

	1/2"x10	1/2"x12	1/2"x14	1/2"x15	1/2"x16
A	17	17	17	14,5	15,25
B	26,7	26,7	26,7	26,7	26,7
C	24	24	24	24	24
Kg/cm <sup>2</sup> bar	10	10	10	10	10
LBS - psi	145	145	145	145	145

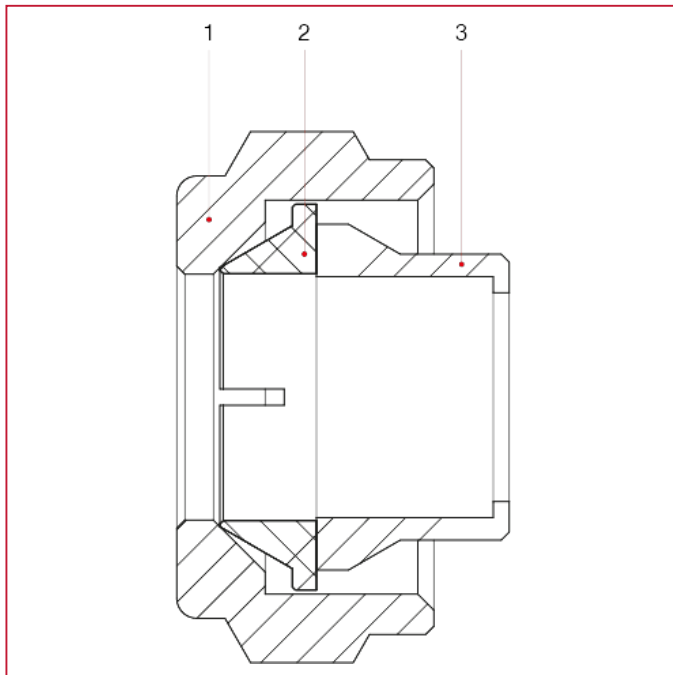
### 595 size 3/4"

	3/4"x15	3/4"x18
A	18,3	18
B	30	30
C	24	24
Kg/cm <sup>2</sup> bar	10	10
LBS - psi	145	145



# COMPRESSION FITTINGS FOR COPPER PIPE

## MATERIALS



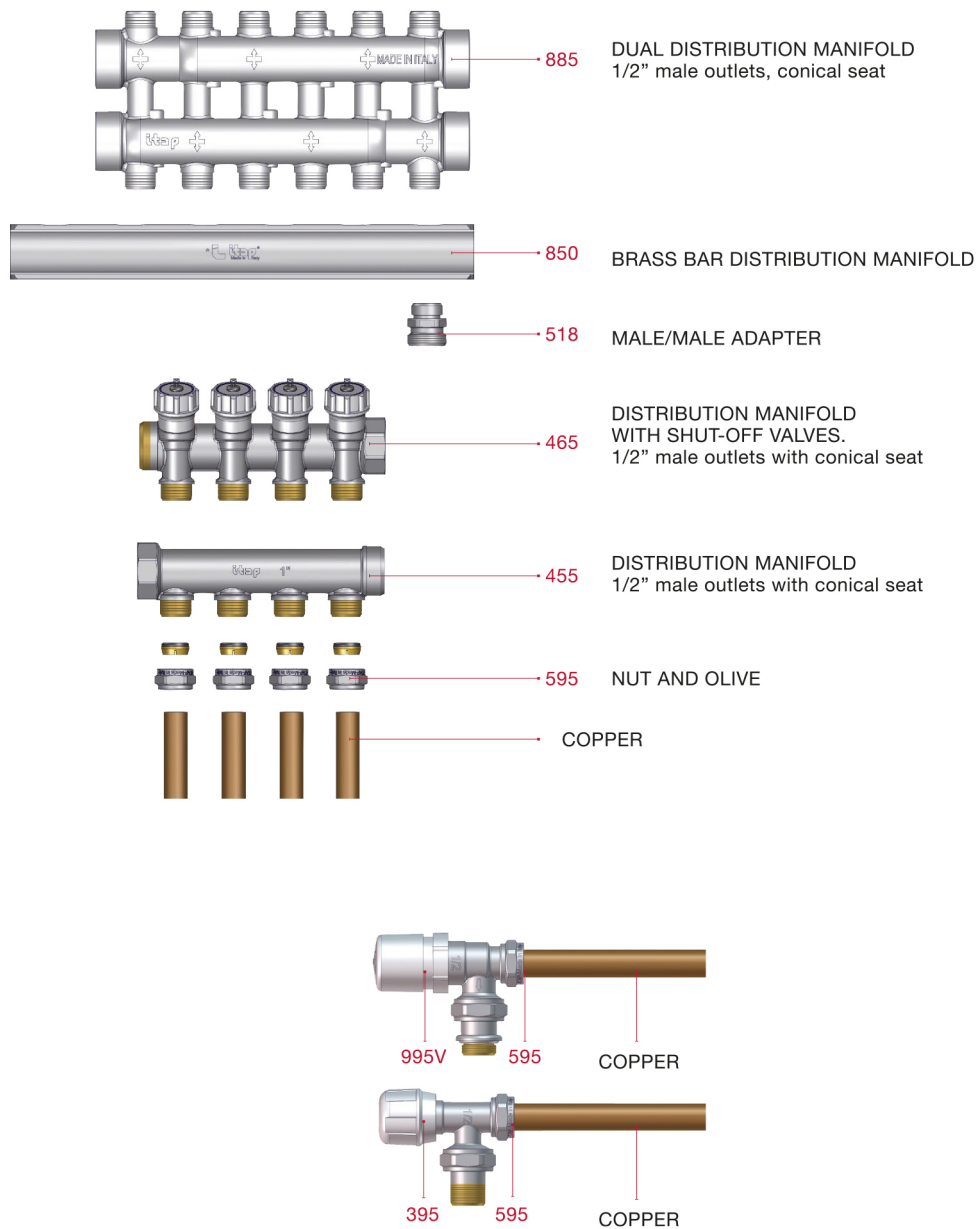
POS.	DESCRIPTION	N.	MATERIAL
1	Nut	1	Nickel-plated brass CW617N
2	Olive	1	Brass CW614N
3	Washer	1	EPDM



# COMPRESSION FITTINGS FOR COPPER PIPE

## INSTRUCTIONS

### USE OF THE FITTINGS WITH COPPER PIPE





# COMPRESSION FITTINGS FOR COPPER PIPE

## 598 Nut and tail

WITH YELLOW OLIVE FOR GAS AND FLUID HYDROCARBONS SYSTEMS  
COMPRESSION FITTINGS FOR COPPER PIPE  
ACCORDING TO UNI EN 1254-2 STANDARD



SIZE	CODE	PACKING
1/2"x12	598001212	50/600
1/2"x14	598001214	50/600
1/2"x15	598001215	50/600
1/2"x16	598001216	50/600
3/4"x18	598003418	25/450

### CERTIFICATIONS



### TECHNICAL SPECIFICATIONS

The olive complies with EN 682 standard.

Minimum and maximum working temperatures: -15°C, 50°C.

Maximum working pressure for gas: 5bar.

Maximum working pressure for hydrocarbons: 16bar.

1/2" male thread suitable for conical seats with an inner diameter of 16mm.

3/4" thread suitable for EUROKONUS standard.

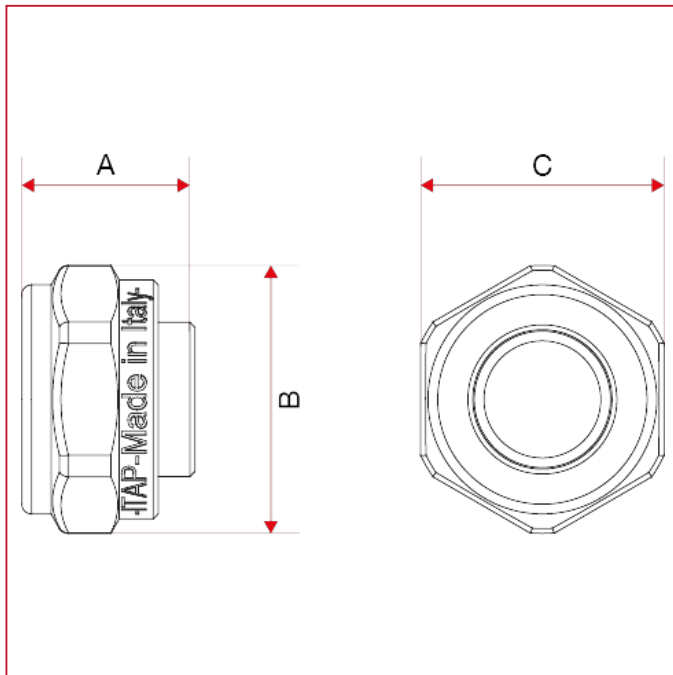
COMPRESSION FITTINGS FOR COPPER PIPES.

GAS AND FLUID HYDROCARBONS SYSTEMS.



# COMPRESSION FITTINGS FOR COPPER PIPE

## OVERALL DIMENSIONS



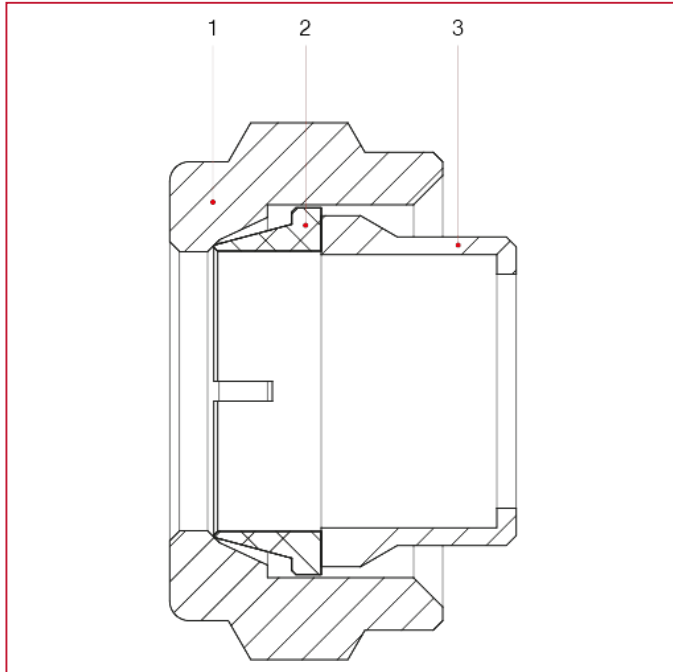
	1/2"x12	1/2"x14	1/2"x15	1/2"x16	3/4"x18
A	17,8	17,8	14	14	16
B	27,5	27,5	27,5	27,5	33
C	25	25	25	25	30
Kg/cm2 bar	5	5	5	5	5
LBS - psi	72,5	72,5	72,5	72,5	72,5





# COMPRESSION FITTINGS FOR COPPER PIPE

## MATERIALS



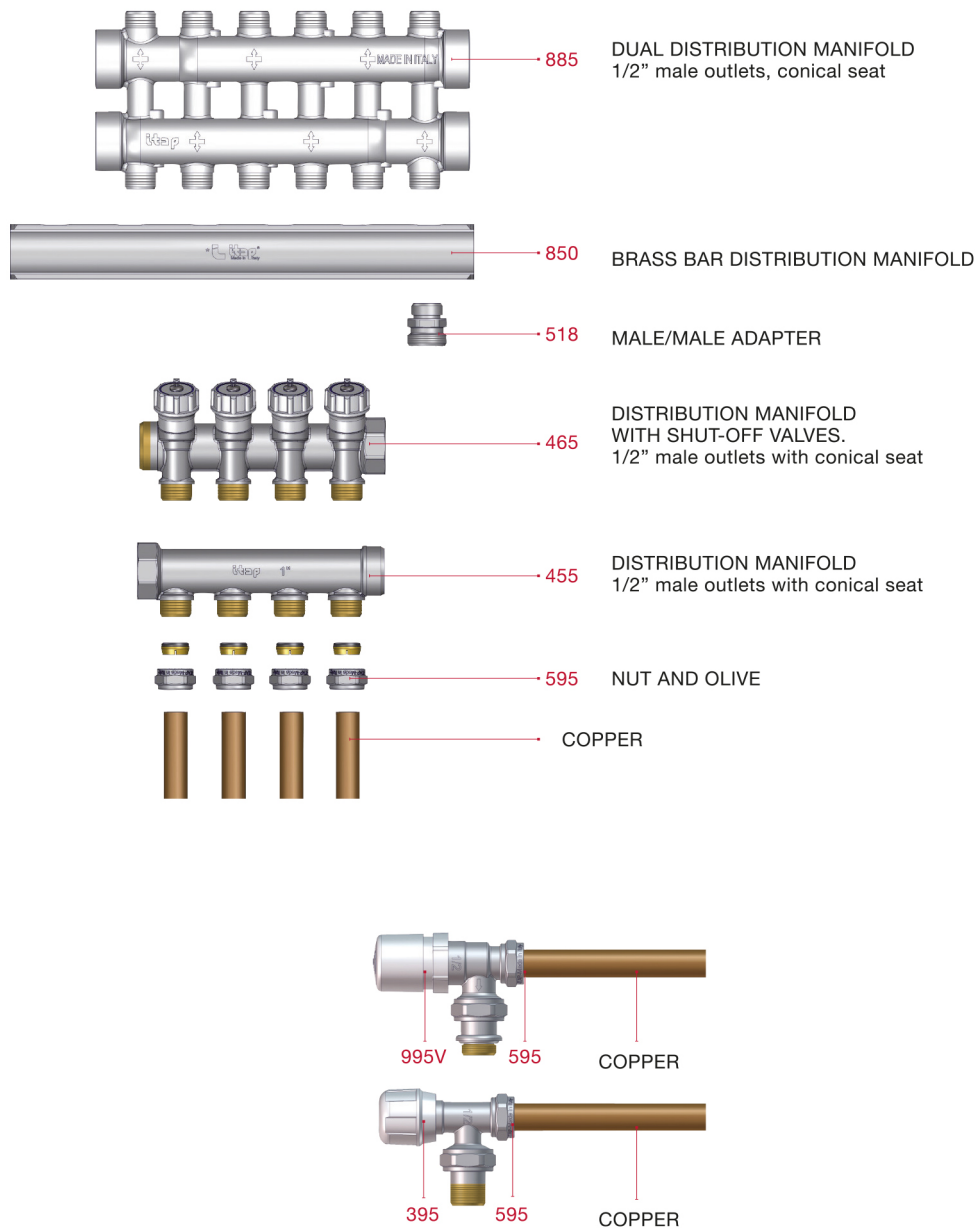
POS.	DESCRIPTION	N.	MATERIAL
1	Nut	1	Nickel-plated brass CW617N
2	Olive	1	Brass CW614N
3	Washer	1	HNBR



# COMPRESSION FITTINGS FOR COPPER PIPE

## INSTRUCTIONS

### USE OF THE FITTINGS WITH COPPER PIPE





# COMPRESSION FITTINGS FOR COPPER PIPE

## 509 Straight female connector

Available sizes: 1/2"x1/2", 1/2"Mx3/4"F, 3/4"x3/4" eurokonus



509 available sizes: 1/2"x1/2", 1/2"Mx3/4"F, 3/4"x3/4" eurokonus

SIZE	CODE	PACKING
1/2"x1/2"	5090012012	20/600
1/2"x3/4"	5090012034	15/345
3/4"x3/4"	5090034034	12/276

### CERTIFICATIONS



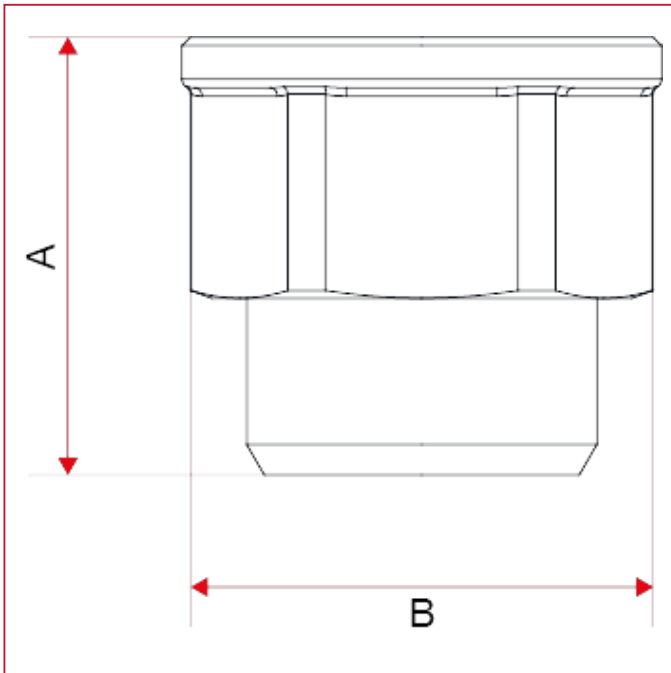
### TECHNICAL SPECIFICATIONS

Male thread 1/2" equipped with a conical seat and inner diameter mm.16.

Male thread 3/4" eurokonus.

Maximum working pressure: 20 bar.

### OVERALL DIMENSIONS



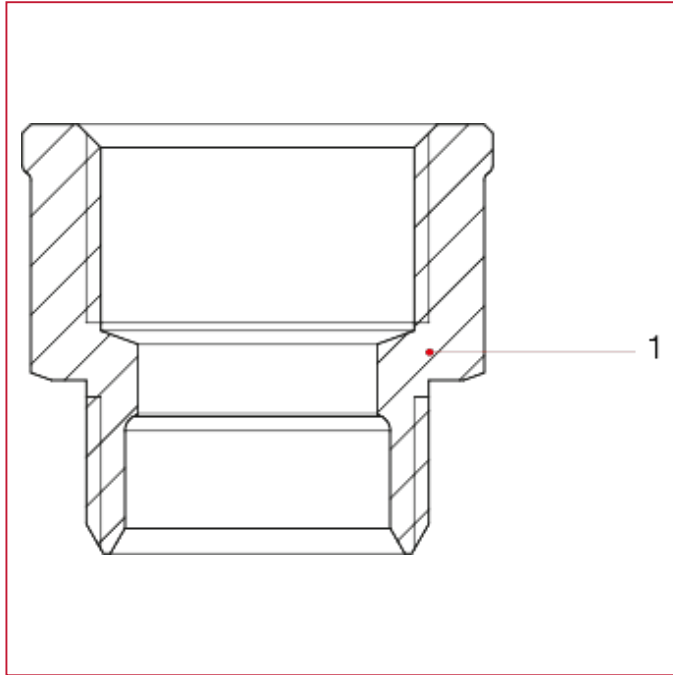


## COMPRESSION FITTINGS FOR COPPER PIPE

509 available sizes: 1/2"x1/2", 1/2"Mx3/4"F, 3/4"x3/4" eurokonus

	1/2"x1/2"	1/2"x3/4"	3/4"x3/4"
A	26	28	30
B	27,5	33	33
Kg/cm2 bar	20	20	20
LBS - psi	290	290	290

### MATERIALS



POS.	DESCRIPTION	N.	MATERIAL
1	Fitting	1	Nickel-plated brass CW617N



# COMPRESSION FITTINGS FOR COPPER PIPE

## 515 Straight male connector

Available sizes: 1/2"x1/2", 1/2"x3/4"eurokonus, 3/4"x3/4" eurokonus



515 available sizes: 1/2"x1/2", 1/2"x3/4"eurokonus, 3/4"x3/4" eurokonus

SIZE	CODE	PACKING
1/2"x1/2"	5150012012	30/720
1/2"x3/4"	5150012034	20/480
3/4"x3/4"	5150034034	20/220

### CERTIFICATIONS



### TECHNICAL SPECIFICATIONS

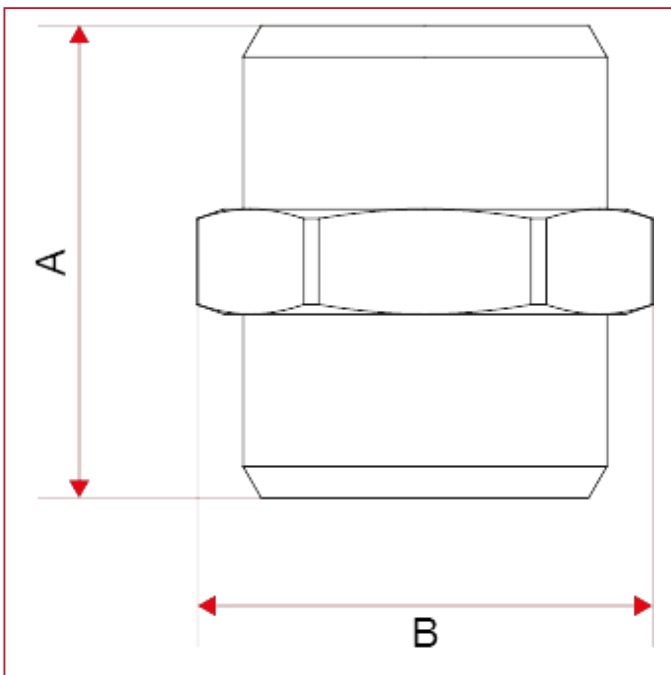
Male thread 1/2" equipped with a conical seat and inner diameter mm.16.

Male thread 3/4" eurokonus.

Male thread 1" equipped with a conical seat and inner diameter mm.22.

Maximum working pressure: 20 bar.

### OVERALL DIMENSIONS



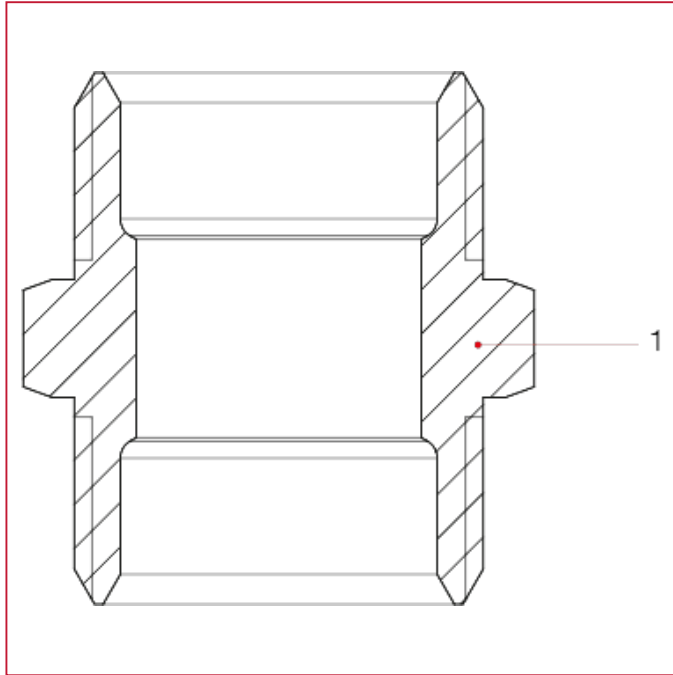


## COMPRESSION FITTINGS FOR COPPER PIPE

515 available sizes: 1/2"x1/2", 1/2"x3/4" eurokonus, 3/4"x3/4" eurokonus

	1/2"x1/2"	1/2"x3/4"	3/4"x3/4"
A	27	30	32
B	26	29	29
Kg/cm2 bar	20	20	20
LBS - psi	290	290	290

### MATERIALS



POS.	DESCRIPTION	N.	MATERIAL
1	Fitting	1	Brass PTL CW617N



# COMPRESSION FITTINGS FOR COPPER PIPE

## 530 Equal T coupling

Available sizes: 1/2"x1/2"x1/2", 3/4"x3/4"x3/4" eurokonus



530 available sizes: 1/2"x1/2"x1/2", 3/4"x3/4"x3/4" eurokonus

SIZE	CODE	PACKING
1/2"	5300012012	16/336
3/4"	5300034034	8/168

### CERTIFICATIONS



### TECHNICAL SPECIFICATIONS

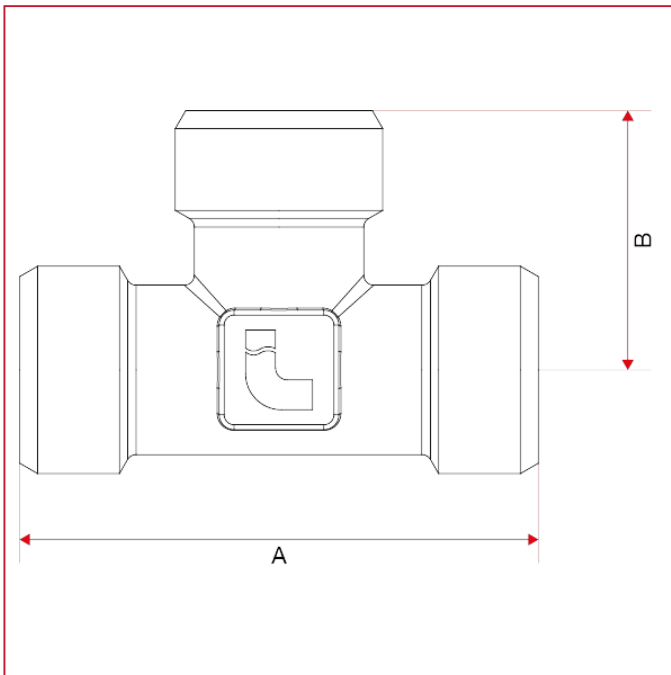
Male thread 1/2" equipped with a conical seat and inner diameter mm.16.

Male thread 3/4" eurokonus.

Male thread 1" equipped with a conical seat and inner diameter mm.22.

Maximum working pressure: 20 bar.

### OVERALL DIMENSIONS



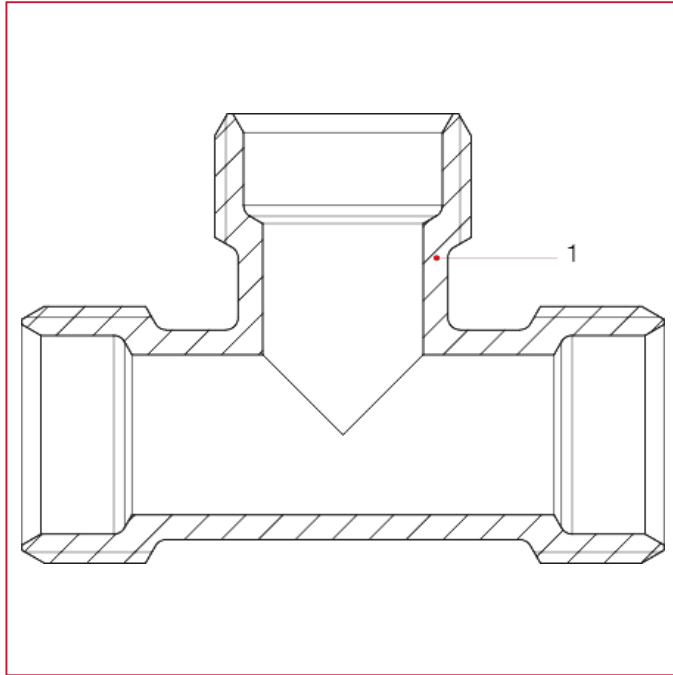


# COMPRESSION FITTINGS FOR COPPER PIPE

530 available sizes: 1/2"x1/2"x1/2", 3/4"x3/4"x3/4" eurokonus

	1/2"	3/4"
A	52	64
B	26	32
Kg/cm2 bar	20	20
LBS - psi	290	290

## MATERIALS



POS.	DESCRIPTION	N.	MATERIAL
1	Fitting	1	Nickel-plated brass CW617N





# COMPRESSION FITTINGS FOR COPPER PIPE

## 535 Female branch T coupling

Available sizes: 1/2"x1/2"x1/2", 3/4"x3/4"x3/4" eurokonus



535 available sizes: 1/2"x1/2"x1/2", 3/4"x3/4"x3/4" eurokonus

SIZE	CODE	PACKING
1/2"	5350012012	14/294
3/4"	5350034034	8/168

### CERTIFICATIONS



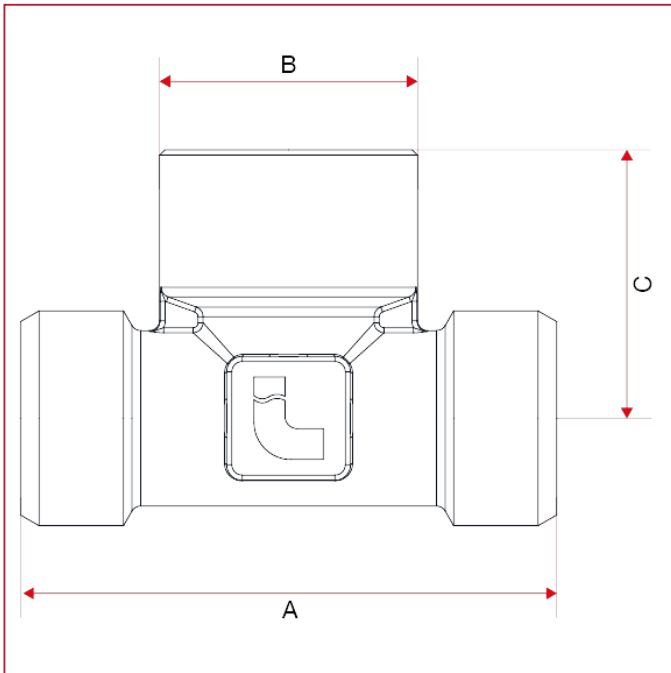
### TECHNICAL SPECIFICATIONS

Male thread 1/2" equipped with a conical seat and inner diameter mm.16.

Male thread 3/4" eurokonus.

Maximum working pressure: 20 bar.

### OVERALL DIMENSIONS



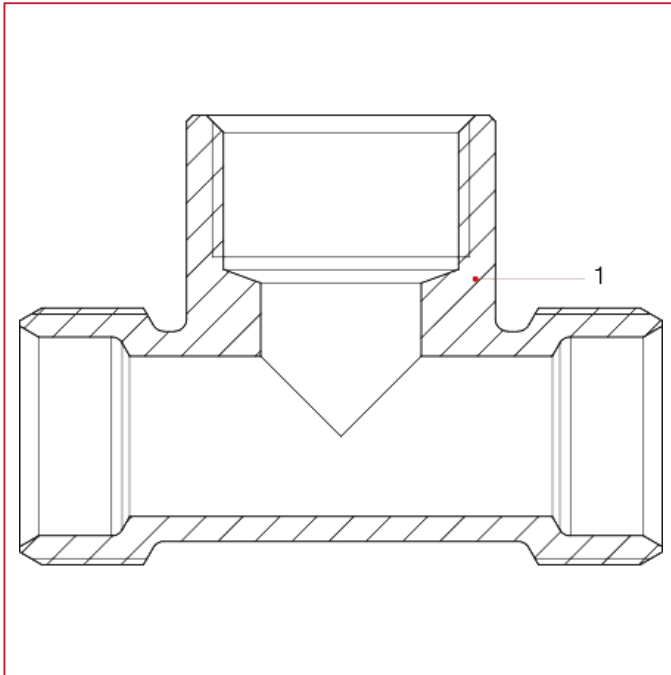


# COMPRESSION FITTINGS FOR COPPER PIPE

535 available sizes: 1/2"x1/2"x1/2", 3/4"x3/4"x3/4" eurokonus

	1/2"	3/4"
A	52	64
B	26	31
C	25	32
Kg/cm2 bar	20	20
LBS - psi	290	290

## MATERIALS



POS.	DESCRIPTION	N.	MATERIAL
1	Fitting	1	Nickel-plated brass CW617N



# COMPRESSION FITTINGS FOR COPPER PIPE

## 540 Male elbow

Available sizes: 1/2"x1/2", 1/2"x3/4"eurokonus, 3/4"x3/4" eurokonus



540 available sizes: 1/2"x1/2", 1/2"x3/4"eurokonus, 3/4"x3/4" eurokonus

SIZE	CODE	PACKING
1/2"x1/2"	5400012012	18/432
1/2"x3/4"	5400012034	13/312
3/4"x3/4"	5400034034	10/240

### CERTIFICATIONS



### TECHNICAL SPECIFICATIONS

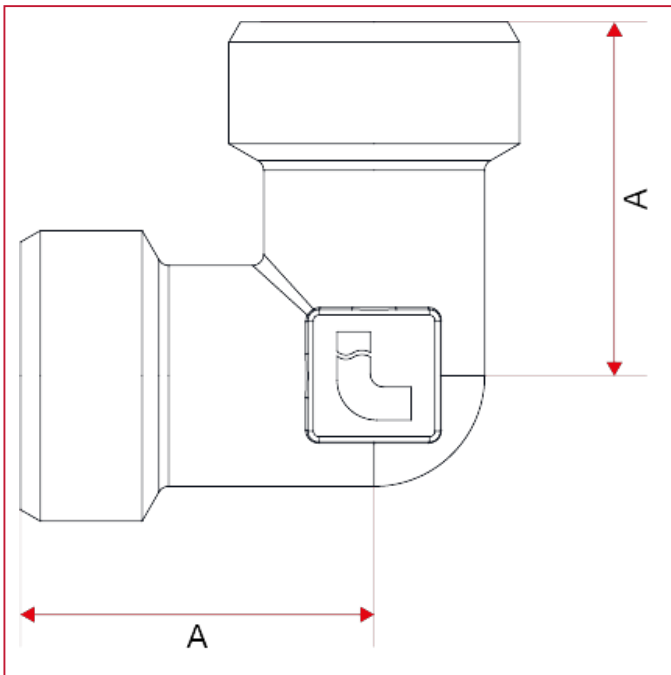
Male thread 1/2" equipped with a conical seat and inner diameter mm.16.

Male thread 3/4" eurokonus.

Male thread 1" equipped with a conical seat and inner diameter mm.22.

Maximum working pressure: 20 bar.

### OVERALL DIMENSIONS



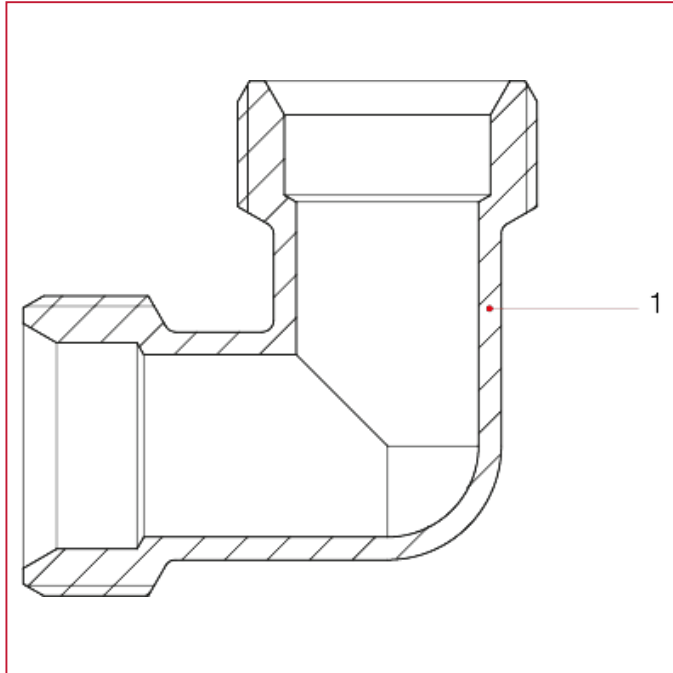


## COMPRESSION FITTINGS FOR COPPER PIPE

540 available sizes: 1/2"x1/2", 1/2"x3/4" eurokonus, 3/4"x3/4" eurokonus

	1/2"x1/2"	1/2"x3/4"	3/4"x3/4"
A	26	30	32
Kg/cm2 bar	20	20	20
LBS - psi	290	290	290

### MATERIALS



POS.	DESCRIPTION	N.	MATERIAL
1	Fitting	1	Nickel-plated brass CW617N



# COMPRESSION FITTINGS FOR COPPER PIPE

## 545 Female elbow

Available sizes: 1/2"x1/2", 1/2"Mx3/4"F, 3/4"x3/4" eurokonus



545 available sizes: 1/2"x1/2", 1/2"Mx3/4"F, 3/4"x3/4" eurokonus

SIZE	CODE	PACKING
1/2"x1/2"	5450012012	14/336
1/2"x3/4"	5450012034	8/272
3/4"x3/4"	5450034034	8/272

### CERTIFICATIONS



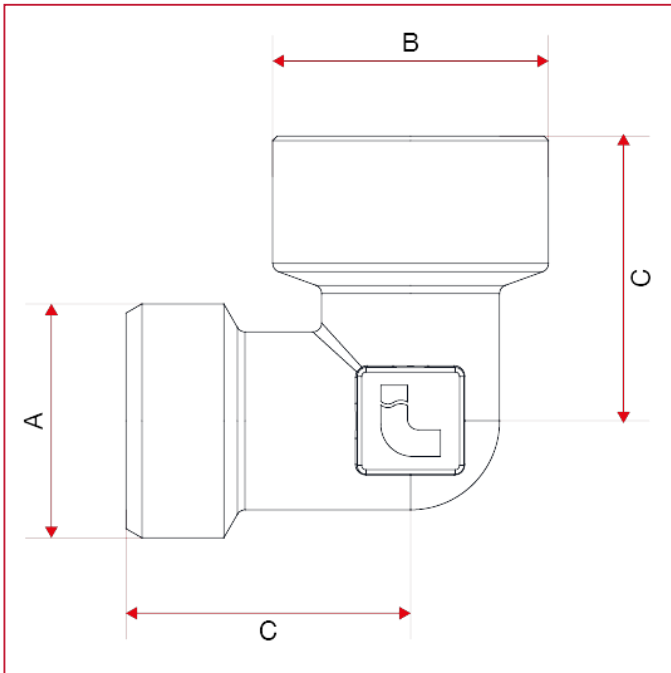
### TECHNICAL SPECIFICATIONS

Male thread 1/2" equipped with a conical seat and inner diameter mm.16.

Male thread 3/4" eurokonus.

Maximum working pressure: 20 bar.

### OVERALL DIMENSIONS



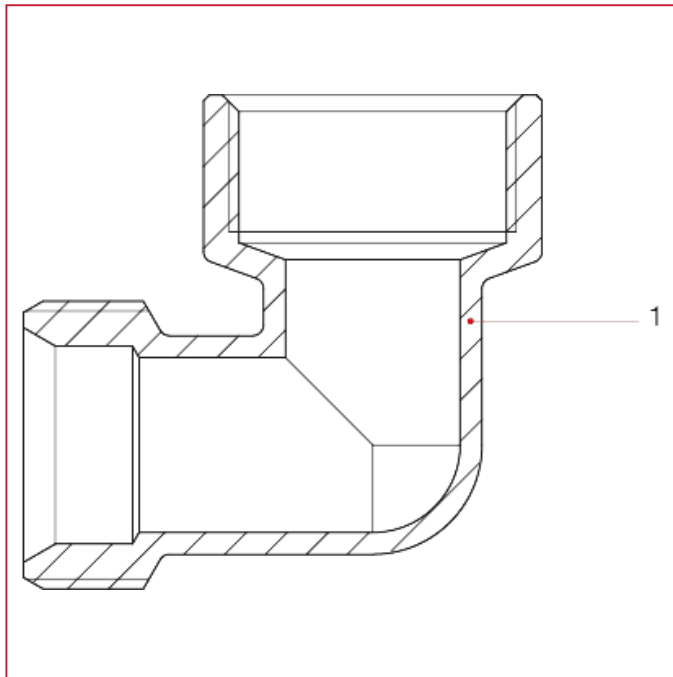


# COMPRESSION FITTINGS FOR COPPER PIPE

545 available sizes: 1/2"x1/2", 1/2"Mx3/4"F, 3/4"x3/4" eurokonus

	1/2"x1/2"	1/2"x3/4"	3/4"x3/4"
A	1/2	1/2	3/4
B	25	31	31
C	26	30	32
Kg/cm2 bar	20	20	20
LBS - psi	290	290	290

## MATERIALS



POS.	DESCRIPTION	N.	MATERIAL
1	Fitting	1	Nickel-plated brass CW617N



# COMPRESSION FITTINGS FOR COPPER PIPE

## 548 Backplate female elbow

Available sizes: 1/2"x1/2", 3/4"x3/4" eurokonus



### 548 available sizes: 1/2"x1/2", 3/4"x3/4" eurokonus

SIZE	CODE	PACKING
1/2"	5480012012	12/252
3/4"	5480034034	8/128

### CERTIFICATIONS



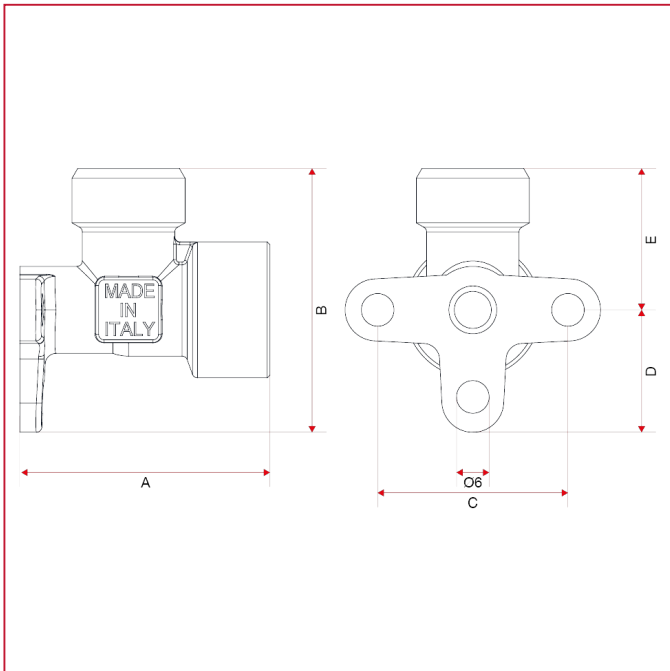
### TECHNICAL SPECIFICATIONS

Male thread 1/2" equipped with a conical seat and inner diameter mm.16.

Male thread 3/4" eurokonus.

Maximum working pressure: 20 bar.

### OVERALL DIMENSIONS



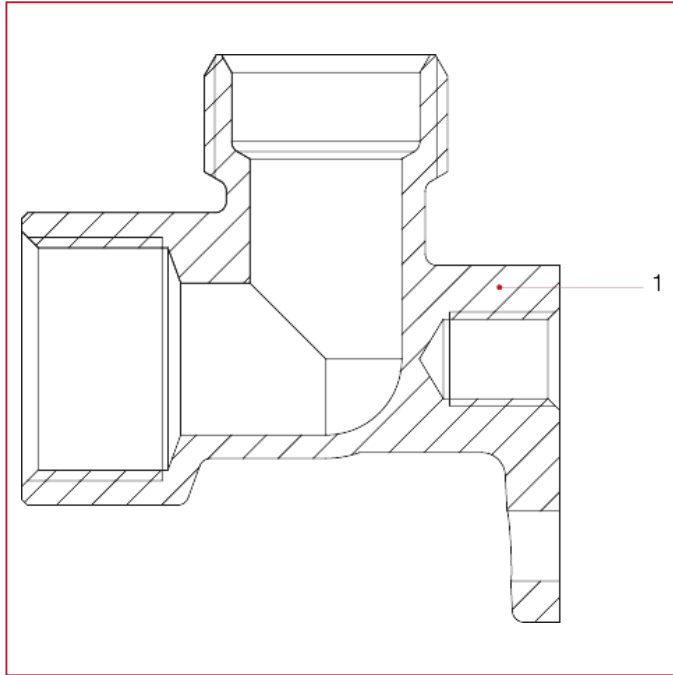


# COMPRESSION FITTINGS FOR COPPER PIPE

548 available sizes: 1/2"x1/2", 3/4"x3/4" eurokonus

	1/2"	3/4"
A	46	54
B	25	31
C	35	40
D	16	19
E	26	32
Kg/cm2 bar	20	20
LBS - psi	290	290

## MATERIALS



POS.	DESCRIPTION	N.	MATERIAL
1	Fitting	1	Nickel-plated brass CW617N





**ITAP S.p.A.**  
Via Ruca 19  
25065 Lumezzane  
Brescia (ITALY)  
Tel 030 8927011  
Fax 030 8921990  
[www.itap.it](http://www.itap.it) - [info@itap.it](mailto:info@itap.it)

We reserve the right to make improvements and changes to the products described herein and to the relative technical data, at any time and without forewarning.

rev. 20211127