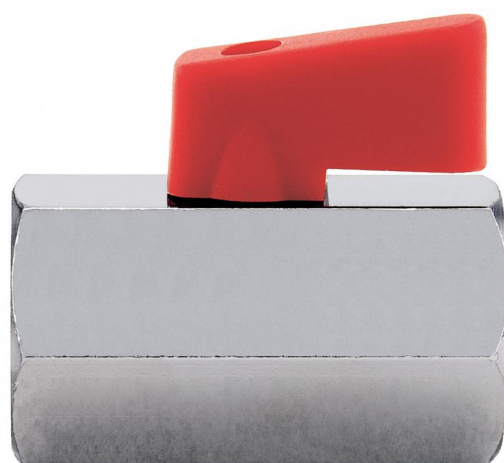




TECHNICAL CATALOGUE

MINI BALL VALVES

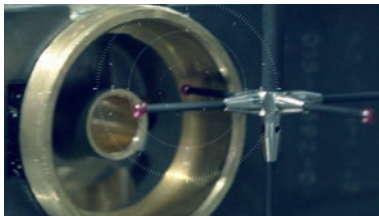
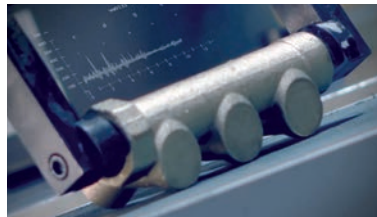
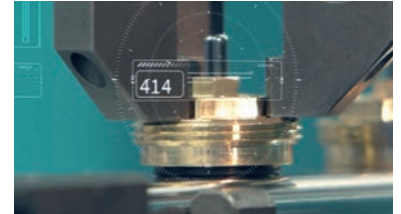
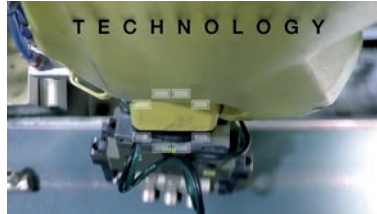


> THE COMPANY

ITAP SpA, founded in Lumezzane (Brescia) in 1972, is currently one of the leading production companies in Italy of **valves, fittings and distribution manifolds** for plumbing and heating systems.

Thanks to fully automated production processes, with 85 transfer machines and 55 assembly lines, we are able to produce 400,000 pieces per day.

Our innate pursuit for innovation and observance of technical regulations is supported by the company certification ISO 9001. The company has always considered its focus on quality as the main tool to obtain significant business results: today ITAP SpA is proud to offer products bearing the approval of numerous international certifying bodies.



> ITAP products have obtained approvals by more than 30 certification bodies from all over the world.





MINI BALL VALVES

125 MINI ball valves

MINI



SIZE	PRESSURE	CODE	PACKING
1/8" (DN 6)	10bar/145psi	1250018/N	20/220
1/4" (DN 8)	10bar/145psi	1250014/N	20/220
3/8" (DN 10)	10bar/145psi	1250038/N	20/220
1/2" (DN 15)	10bar/145psi	1250012/N	20/220
3/4" (DN 20)	10bar/145psi	1250034/N	15/150

CERTIFICATIONS



TECHNICAL SPECIFICATIONS

Threads: female/female or male/female.

Body in chrome-plated brass.

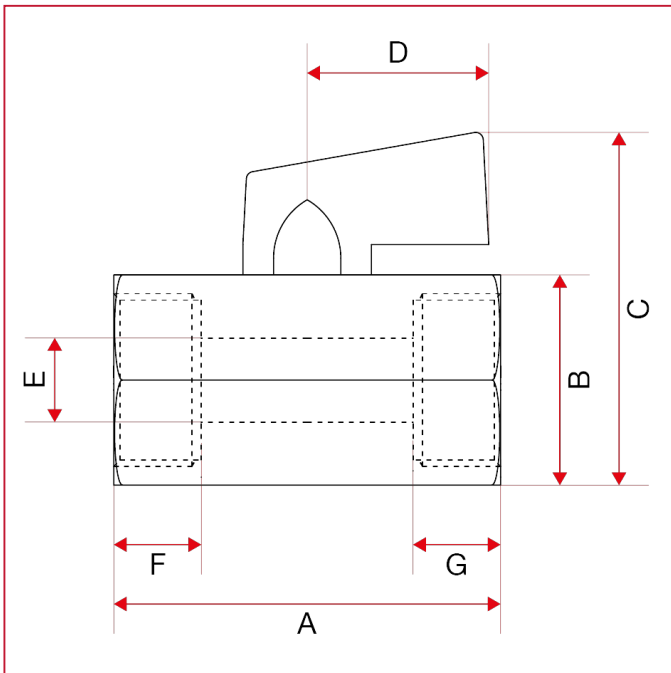
Lever handle in polymer.

Minimum and maximum working temperatures: 0°C, 90°C.

Threads: ISO 228 (equivalent to DIN EN ISO 228 and BS EN ISO 228).

Mention "N" in the code to order the black handle.

OVERALL DIMENSIONS

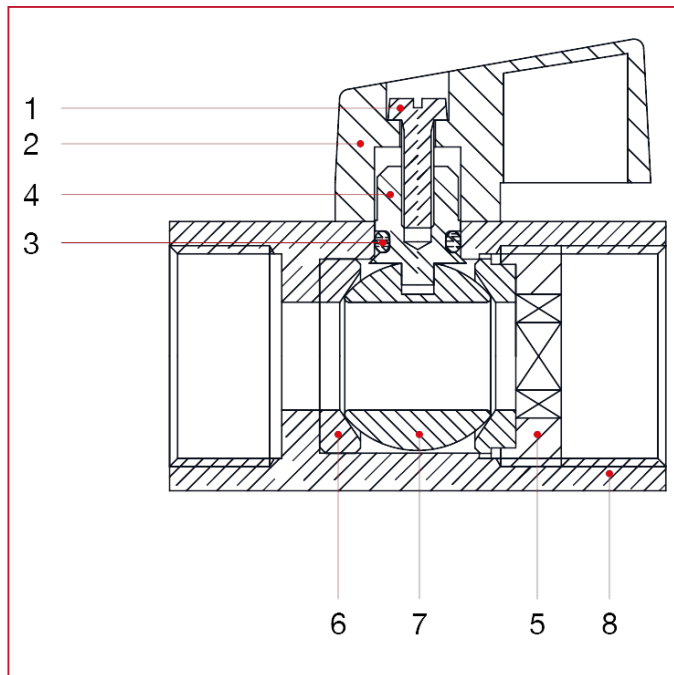




MINI BALL VALVES

	1/8"	1/4"	3/8"	1/2"	3/4"
DN	6	8	10	15	20
A	40	40	40	46	54
B	21	21	21	25	30
C	38	38	38	42	46,9
D	21,5	21,5	21,5	21,5	22
E	7	8,2	8	10	13,5
F	10	10	10	10,5	14,5
G	11	10	10	10,5	12
Kg/cm ² bar	10	10	10	10	10
LBS - psi	145	145	145	145	145

MATERIALS



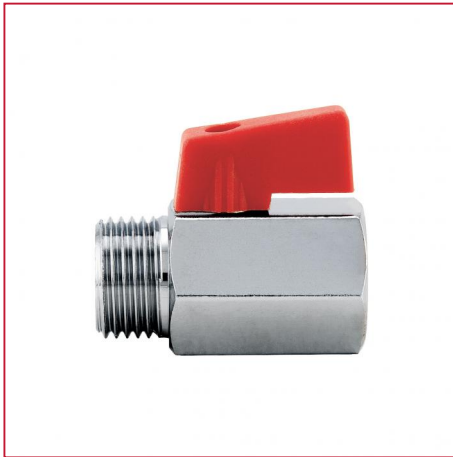
POS.	DESCRIPTION	N.	MATERIAL
1	Screw	1	Zinc-plated steel Fe
2	Lever handle	1	Polymer
3	Washer	1	NBR
4	Stem	1	Brass CW617N
5	End adapter	1	Brass CW617N
6	Seat	2	P.T.F.E.
7	Ball	1	Chrome-plated brass CW617N
8	Body	1	Chrome-plated brass CW617N



MINI BALL VALVES

126 MINI ball valves

MINI



SIZE	PRESSURE	CODE	PACKING
1/8" (DN 6)	10bar/145psi	1260018/N	20/320
1/4" (DN 8)	10bar/145psi	1260014/N	20/320
3/8" (DN 10)	10bar/145psi	1260038/N	20/320
1/2" (DN 15)	10bar/145psi	1260012/N	20/220
3/4" (DN 20)	10bar/145psi	1260034/N	15/150

CERTIFICATIONS



TECHNICAL SPECIFICATIONS

Threads: female/female or male/female.

Body in chrome-plated brass.

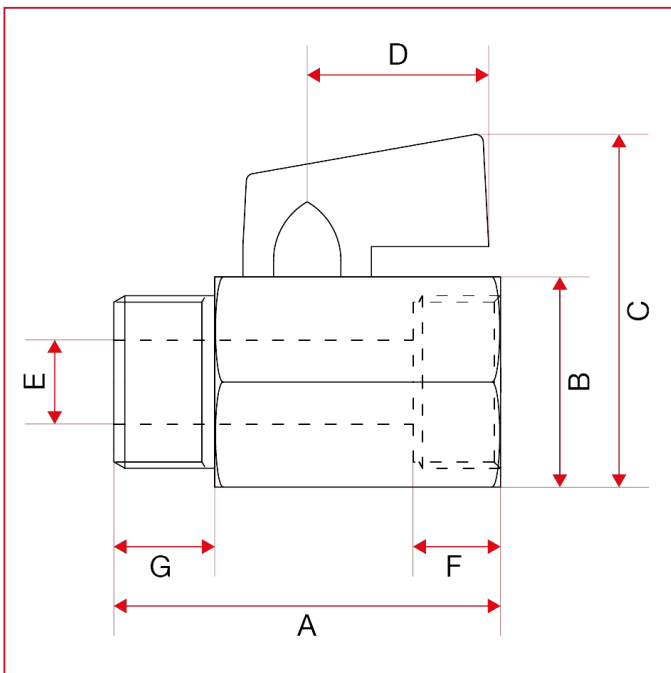
Lever handle in polymer.

Minimum and maximum working temperatures: 0°C, 90°C.

Threads: ISO 228 (equivalent to DIN EN ISO 228 and BS EN ISO 228).

Mention "N" in the code to order the black handle.

OVERALL DIMENSIONS

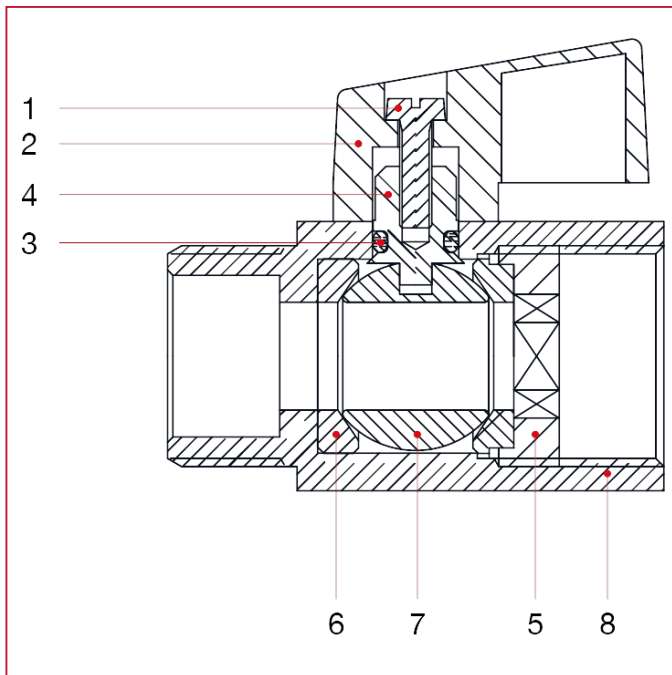




MINI BALL VALVES

	1/8"	1/4"	3/8"	1/2"	3/4"
DN	6	8	10	15	20
A	39	39	40	45	54
B	20	20	20	24	30
C	36,9	37,2	36,9	41,4	46,9
D	22	22	22	22	22
E	5	8	8	10	13,5
F	10	10,2	9,9	11,6	12
G	9	9,2	10,2	12,2	14,5
Kg/cm2 bar	10	10	10	10	10
LBS - psi	145	145	145	145	145

MATERIALS



POS.	DESCRIPTION	N.	MATERIAL
1	Screw	1	Zinc-plated steel Fe
2	Lever handle	1	Polymer
3	Washer	1	NBR
4	Stem	1	Brass CW617N
5	End adapter	1	Brass CW617N
6	Seat	2	P.T.F.E.
7	Ball	1	Chrome-plated brass CW617N
8	Body	1	Chrome-plated brass CW617N



ITAP S.p.A.
Via Ruca 19
25065 Lumezzane
Brescia (ITALY)
Tel 030 8927011
Fax 030 8921990
www.itap.it - info@itap.it

We reserve the right to make improvements and changes to the products described herein and to the relative technical data, at any time and without forewarning.

rev. 20211126