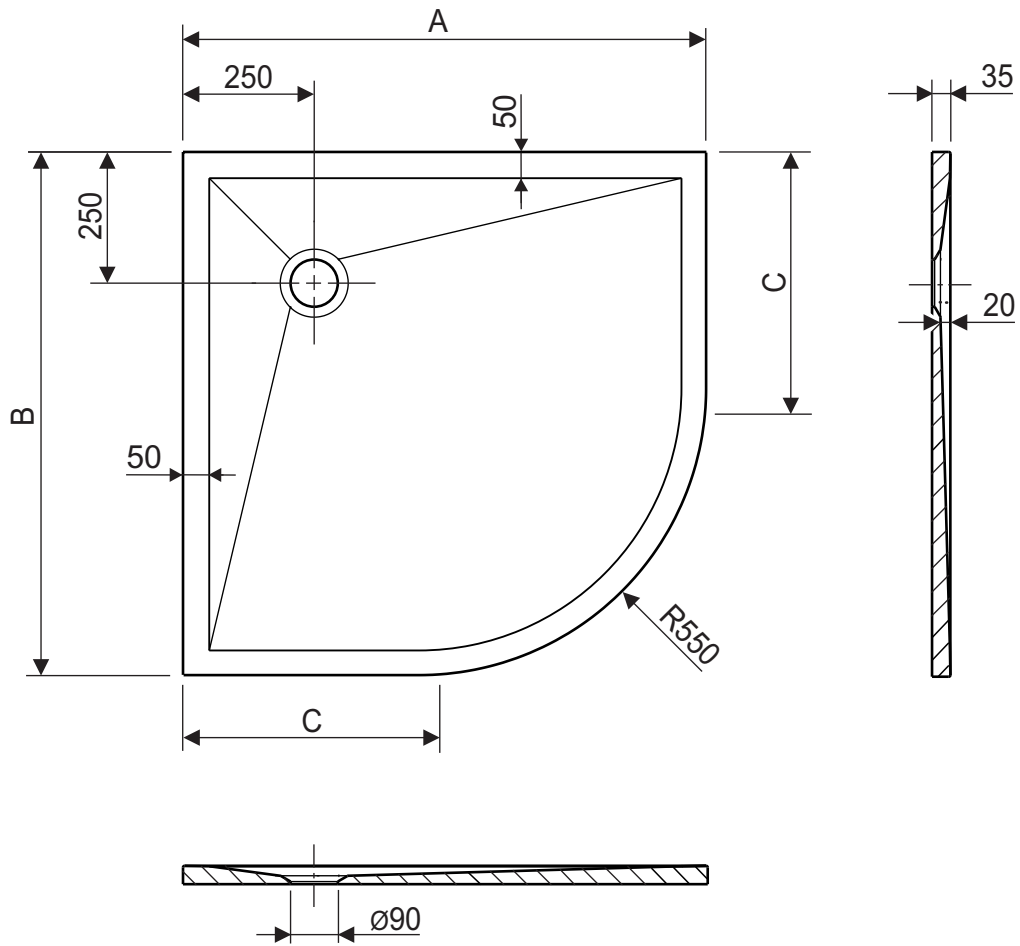


FLAT



MODEL	A [mm]	B [mm]	C [mm]
90 x 90	900	900	350
100 x 100	1000	1000	450